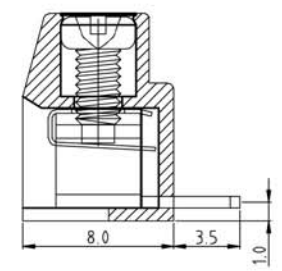
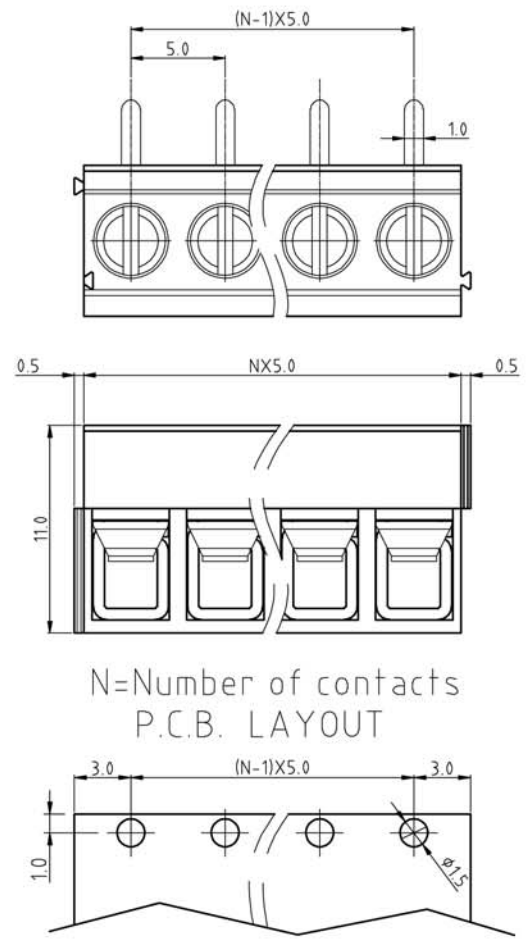


SIGN	DESCRIPTION	DATE	APPROVER



N=Number of contacts  
P.C.B. LAYOUT

Technical Data:  
Material:  
Terminal: Copper Alloy Tin plated  
screw: Steel galvanized with Cr3+ plated  
Wire guard: Stainless steel  
Insulator body(housing): Polyamide(UL94V-0)

Electrical  
Voltage rating: 250VAC  
Current rating: 15 Amps/way max  
Contact resistance:  $20m\Omega$ (max)  
Withstanding Voltage: 2500VAC(1min) Test time=60sec/1pcs  
Wire range: 14-24AWG

Mechanical:  
Torque: 4.0kgf.cm/M2.5  
Operating temperature:  $-40^{\circ}C$  to  $+105^{\circ}C$   
Soldering reliability:  
Test temperature=  $250^{\circ}C \pm 10^{\circ}C$   
5 seconds max

Ordering Information:  
F11 - G - 5 XX - X 0 0 X 0

2 02 | 5 Green  
24 24 | 6 Blue  
          | 8 Grey  
          | A Black

1 "-" SCREW  
2 "-/+ " SCREW

**WELINK** 上海拓尔普电子科技有限公司  
Welink International Co., LTD.

TOLERANCE	APPROVED:	NAME: F11 - G - pitch 5.0mm
X: $\pm 0.50$	CHECKED:	- series
X.X: $\pm 0.30$	DRAWN: Yang Ming 2012,06,20	PART NO: F11G5XXX00X0
X.XX: $\pm 0.20$	UNITS: mm	REV: A
X°: $\pm 1^{\circ}$	SCALE: 4 / 1	PAGE: 1 / 1
		DWG NO: 9F11G5001A