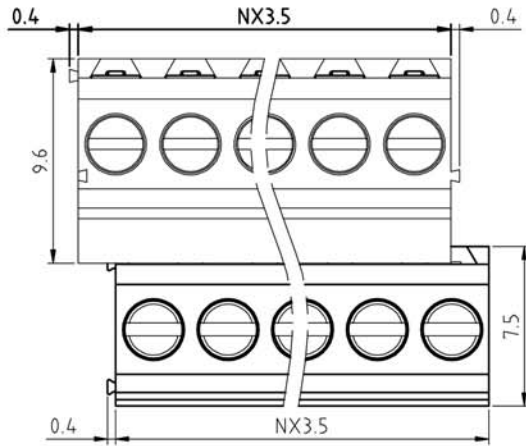
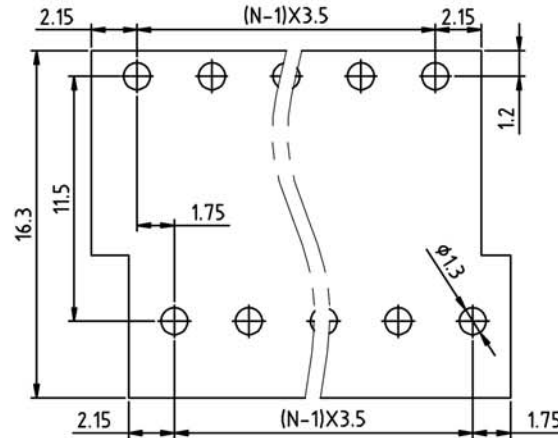


SIGN	DESCRIPTION	DATE	APPROVER



N=Number of contacts



P.C.B. LAYOUT

Technical Data:

Material:

- Contact(metal housing): Copper Alloy with Ni plated
- Terminal screw: Steel galvanized with Cr 3+ plated
- Solder Pin: Copper Alloy with Tin plated
- Insulator body(housing): Polyamide(UL94V-0)

Electrical

- Voltage rating: 300VAC
- Current rating: 10 Amps/way max
- Contact resistance: 20mΩ[ max]
- Withstanding Voltage: 2500VAC(1min) Test time=60sec/1pcs
- Wire range: 16-30AWG

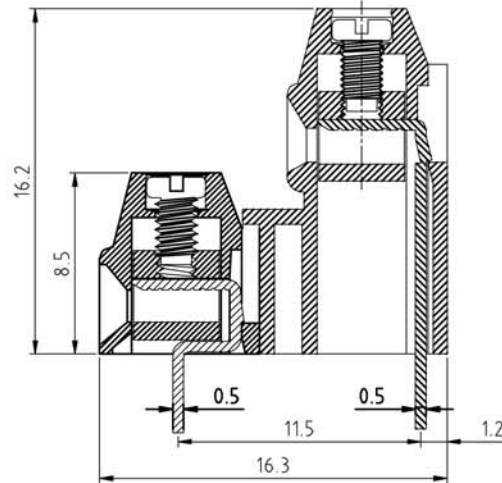
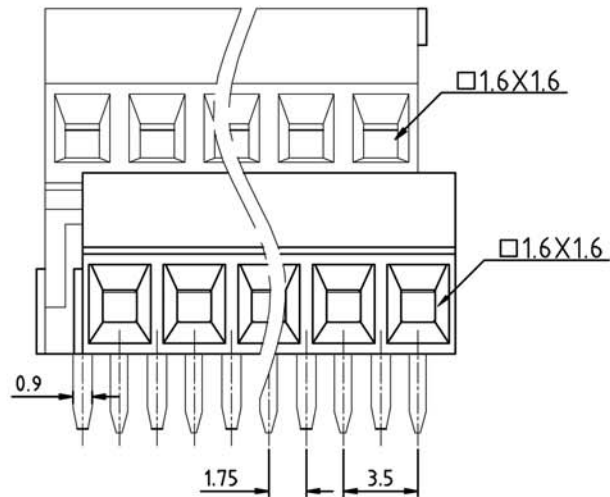
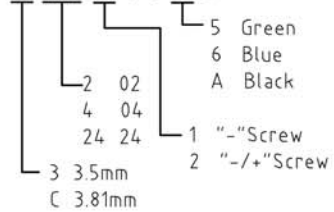
Mechanical:

- Torque: 2kg-cm/M2
- Operating temperature: -40°C to +105°C
- Soldering reliability:

Test temperature= 250°C±10°C  
5 seconds max

Ordering Information:

F33-5-3 XX-X 0 0 X 0



**WELINK** 上海拓尔普电子科技有限公司  
Welink International Co., LTD.

TOLERANCE	APPROVED:	NAME:
X ±0.50	CHECKED:	F33-5 Pitch 3.5 mm series
X.X ±0.30	DRAWN: Yang Ming 2012.06.20	
X.XX ±0.20	UNITS: mm	REV: A
X° ±1°	SCALE: 4 / 1	PAGE: 1 / 1
		PART NO: F3353XXX00X0
		DWG NO: 9F3353001A