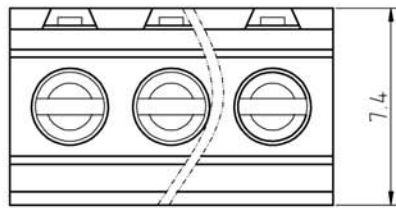
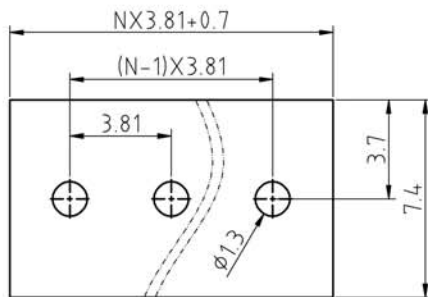
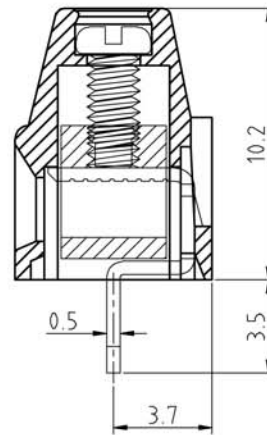
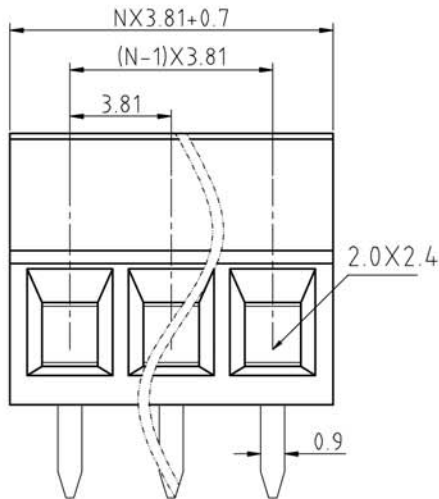


SIGN	DESCRIPTION	DATE	APPROVER



N=Number of contacts



P.C.B. LAYOUT

Technical Data:

Material:

Terminal: Copper Alloy Tin plated
 screw: Steel galvanized and with Cr3+ plated
 Clamp: Copper Alloy Ni plated

Insulator body(housing): Polyamide(UL94V-0)

Electrical

Voltage rating: 300VAC
 Current rating: 10 Amps/way max
 Contact resistance: 20mΩ (max)
 Withstanding Voltage: 2500VAC(1min) Test time=60sec/1pcs
 Wire range: 16-30AWG

Mechanical:

Torque: 2.0kgf.cm/M2.0
 Operating temperature: -40°C to +105°C
 Soldering reliability:
 Test temperature= 250°C±10°C /5 seconds max

Ordering Information:

F33-B-C XX-X 0 0 X 0

2 02 5 GREEN
 4 04 6 BLUE
 24 24 1 "-SCREW
 2 "-/+SCREW

WELINK 上海拓尔普电子科技有限公司
 Welink International Co.,LTD.

TOLERANCE	APPROVED:	NAME:
X ±0.50	CHECKED:	F33-B Pitch 3.81mm Series
X.X ±0.30	DRAWN: Yang Ming 2012,06,20	
X.XX ±0.20	UNITS: mm	PART NO: F33BCXX100X0
X° ±1°	REV: A	DWG NO: 9F33BC001A
	SCALE: 5 / 1	PAGE: 1 / 1