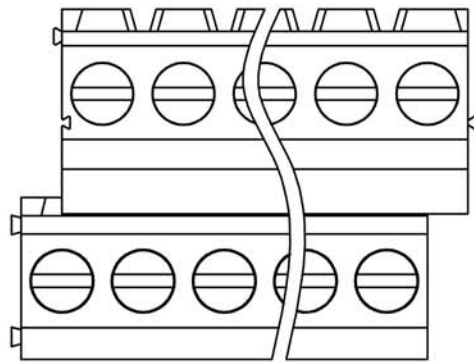
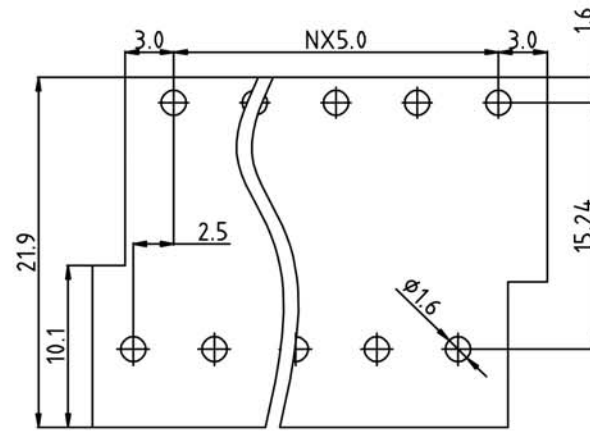


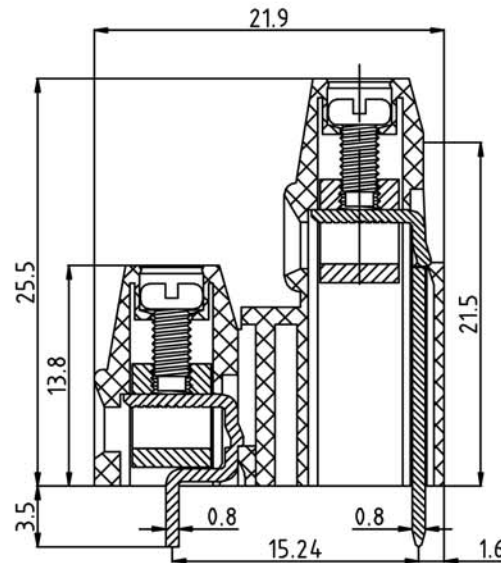
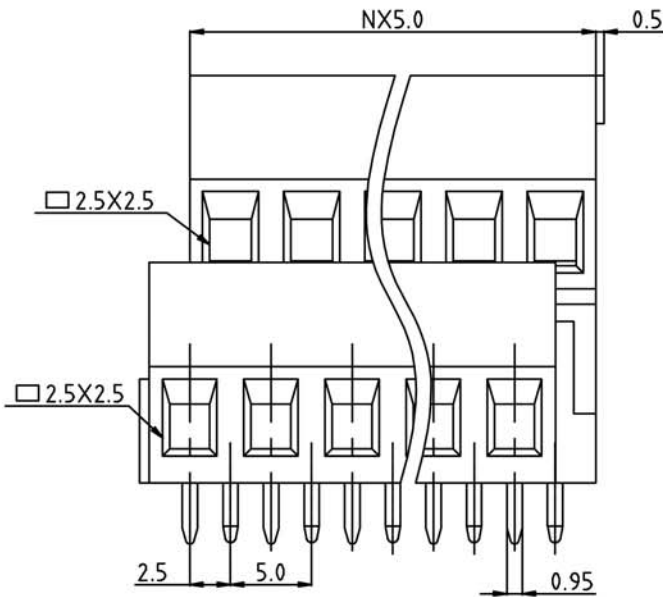
SIGN	DESCRIPTION	DATE	APPROVER



N=Number of conacts



P.C.B. LAYOUT



Technical Data:

Material:

Contact(metal housing): Copper AlloyNi plated
Terminal screw: Steel galvanized with Cr3+ plated
Solder Pin: Copper Alloy with Tin plated
Insulator body(housing): Polyamide(UL94V-0)

Electrical

Voltage rating: 300VAC
Current rating: 16 Amps/way max
Contact resistance: 20mΩ(max)
Withstanding Voltage: 2500VAC(1min) Test time=60sec/1pcs
Wire range: 12-30AWG

Mechanical:

Torque: 4.5kgf.cm/M2.5
Operating temperature: -40°C to +105°C
Soldering reliability:

Test temperature= 250°C±10°C
5 seconds max

Ordering Information:

F35 - 6 - 5 XX - X 0 0 X 0

2 02 5 Green
- - 6 Blue
24 24 8 Grey
 A Black

1 "-" SCREW
2 "-/+ " SCREW

WELINK 上海拓尔普电子科技有限公司
Welink International Co., LTD.

TOLERANCE	APPROVED:	NAME:
X. ±0.50	CHECKED:	F35-6 Pitch5.0mm series
X.X ±0.30	DRAWN: TONY 2007,05,04	
X.XX ±0.20	UNITS: mm	REV: B
X° ±1°	SCALE: 3 / 1	PAGE: 1 / 1
		PART NO: F3565XX100X0
		DWG NO: 9F3565001B