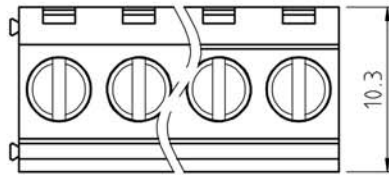
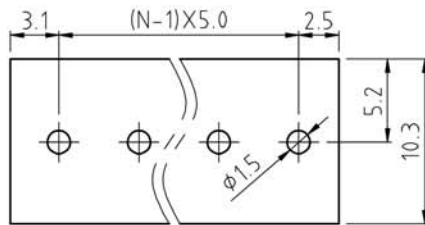
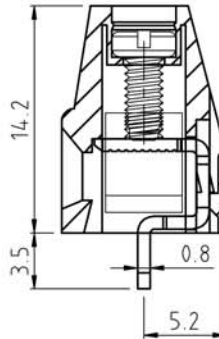
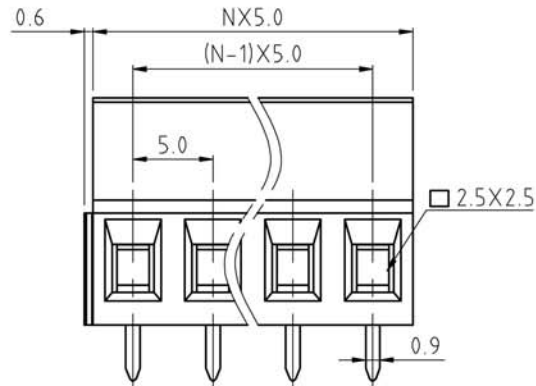


SIGN	DESCRIPTION	DATE	APPROVER



N=Number of contacts



P.C.B. LAYOUT

Technical Data:

Material:

Contact(metal housing): Copper Alloy Ni plated  
Terminal screw: Steel galvanized and with Cr3+ plated  
Solder Pin: Copper Alloy Tin plated  
Insulator body(housing): Polyamide(UL94V-0)

Electrical

Voltage rating: 300VAC  
Current rating: 16 Amps/way max  
Contact resistance: 20mΩ (max)  
Withstanding Voltage: 2500VAC(1min) Test time=60sec/1pcs  
Wire range: 12-30AWG

Mechanical:

Torque: 4.5kgf.cm/M2.5  
Operating temperature: -40°C to +105°C  
Soldering reliability:  
Test temperature= 250°C±10°C /5 seconds max

Ordering Information:

F35-A-5 XX-X 0 0 X 0

2	02	5	GREEN
4	04	6	BLUE
24	24	1	"-"/SCREW
		2	"-"/+SCREW

**WELINK** 上海拓尔普电子科技有限公司  
Welink International Co., LTD.

TOLERANCE X: ±0.50 X.X: ±0.30 X.XX: ±0.20 X°: ±1°	APPROVED:	NAME: F35-A Pitch 5.0mm Series
	CHECKED:	
	DRAWN: Yang Ming 2012.06.20	
	UNITS: mm	REV: A
	SCALE: 3 / 1	PAGE: 1 / 1
		PART NO: F35A5XX100X0
		DWG NO: 9F35A5001A