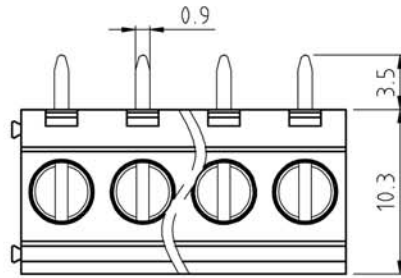
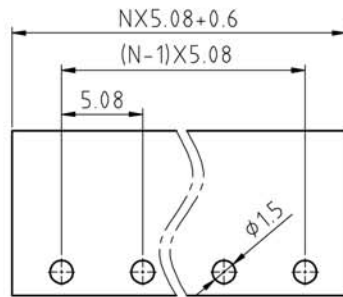
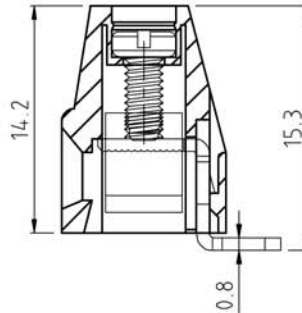
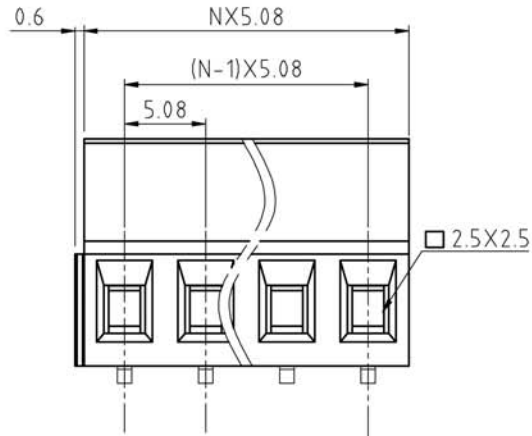


SIGN	DESCRIPTION	DATE	APPROVER



N=Number of contacts



P.C.B. LAYOUT

Technical Data:

Material:

- Contact(metal housing): Copper Alloy Ni plated
- Terminal screw: Steel galvanized and with Cr3+ plated
- Solder Pin: Copper Alloy Tin plated
- Insulator body(housing): Polyamide(UL94V-0)

Electrical

- Voltage rating: 300VAC
- Current rating: 16 Amps/way max
- Contact resistance: 20mΩ (max)
- Withstanding Voltage: 2500VAC(1min) Test time=60sec/1pcs
- Wire range: 12-30AWG

Mechanical:

- Torque: 4.5kgf.cm/M2.5
- Operating temperature: -40°C to +105°C
- Soldering reliability: Test temperature= 250°C±10°C /5 seconds max

Ordering Information:

F35-A-E XX-X 0 0 X 0

- 2 02
- 4 04
- 24 24
- 5 GREEN
- 6 BLUE
- 0 180°
- 1 90°
- 1 "-"SCREW
- 2 "-/+ "SCREW

WELINK 上海拓尔普电子科技有限公司
Welink International Co., LTD.

TOLERANCE	APPROVED:	NAME:
X ±0.50	CHECKED:	F35-A Pitch 5.08mm
X.X ±0.30	DRAWN: Yang Ming 2012.06.20	Series-90D
X.XX ±0.20	UNITS: mm	PART NO: F35AEXX11050
X° ±1°	REV: A	DWG NO: 9F35AE001A
⊕	SCALE: 3 / 1	PAGE: 1 / 1