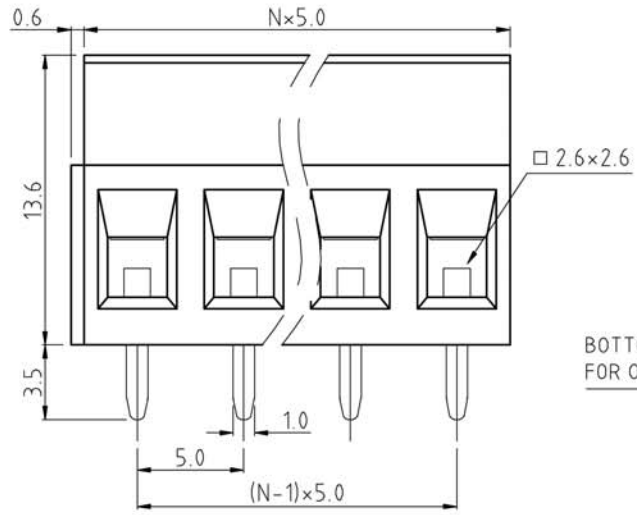
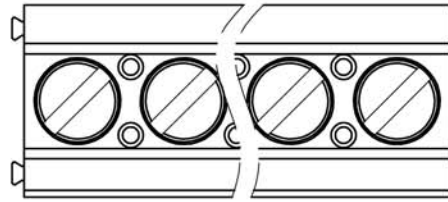
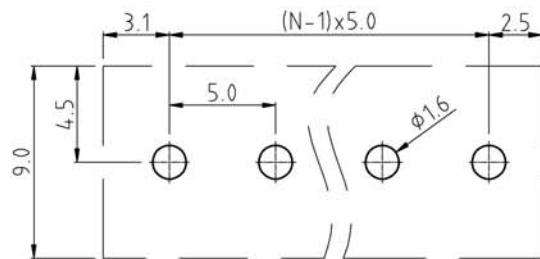


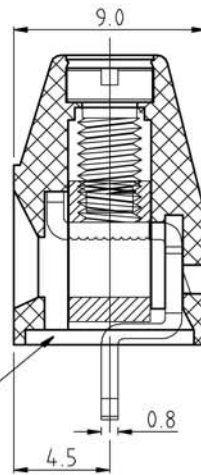
SIGN	DESCRIPTION	DATE	APPROVER



N=Number of contacts



P.C.B. LAYOUT



Technical Data:

Material:

Contact(metal housing): Copper Alloy with Ni plated

Terminal screw: Steel galvanized with Cr3+ plated

Solder Pin: Copper Alloy with Tin plated

Insulator body(housing): Polyamide(UL94V-0)

Electrical

Voltage rating: 300VAC

Current rating: 16 Amps/way max

Contact resistance: 20mΩ (max)

Withstanding Voltage: 2500VAC(1min) Test time=60sec/1pcs

Wire range: 12-30AWG

Mechanical:

Torque: 4.5kgf.cm/M3

Operating temperature: -40°C to +105°C

Soldering reliability:

Test temperature= 250°C±10°C

5 seconds max

Ordering Information:

F35-B-5 XX-X 0 X X 0

5 GREEN

8 GREY

0 W/O BOTTOM COVQR

1 W/BOTTOM COVQR

1 "-" SCREW

2 "-/+ " SCREW

2 02

24 24

**WELINK** 上海拓尔普电子科技有限公司  
Welink International Co., LTD.

TOLERANCE	APPROVED:	NAME: F35-B - Pitch 5.0mm
X ±0.50	CHECKED:	- Series
X.X ±0.30	DRAWN: Yang Ming 2012,06,20	
X.XX ±0.20	UNITS: mm	PART NO: F35B5XX10XX0
X° ±1°	REV: A	DWG NO: 9F35B5001A
	SCALE: 4 / 1	PAGE: 1 / 1