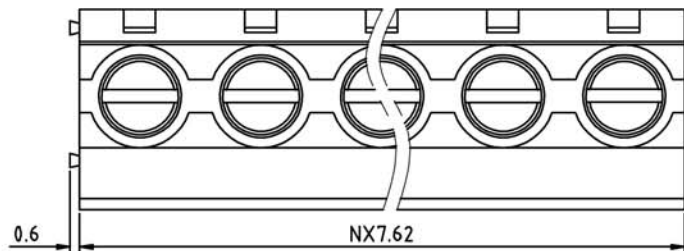
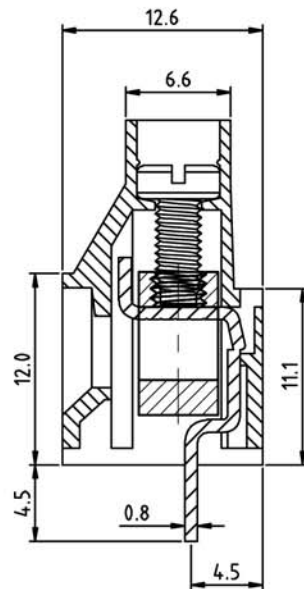
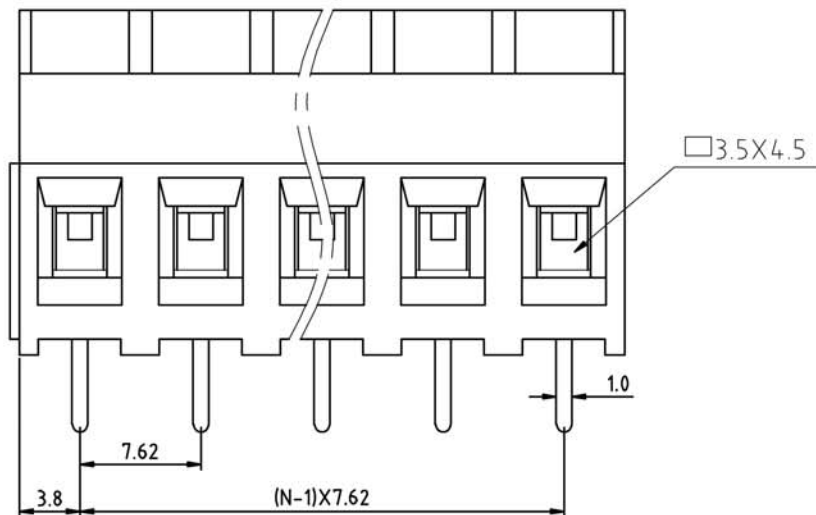


SIGN	DESCRIPTION	DATE	APPROVER



N=Number of conacts



Technical Data:

Material:

Contact(metal housing): Copper Alloy Ni plated
Terminal screw: Steel galvanized with Cr3+ plated
Solder Pin: Copper Alloy with Tin plated
Insulator body(housing): Polyamide(UL94V-0)

Electrical

Voltage rating: 300VAC
Current rating: 30 Amps/way max
Contact resistance: 20mΩ (max)
Wire range: 10-26AWG

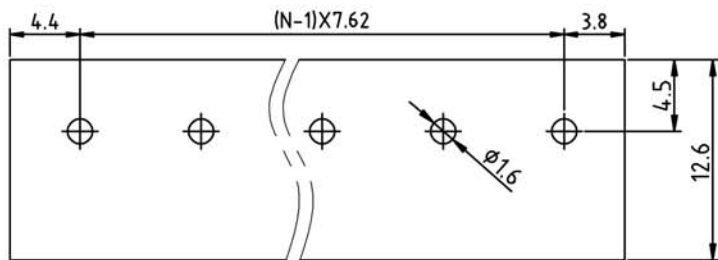
Mechanical:

Torque: 8kgf.cm/M3
Operating temperature: -40°C to +105°C
Soldering temperature= 250°C±10°C/5 Sec

Ordering Information:

F36-1-G XX-X 0 0 X 0

- 2 02
- 4 04
- 24 24
- 5 Green
- 6 Blue
- A Black
- 1 "-"Screw
- 2 "-/+ "Screw



P.C.B. LAYOUT

WELINK 上海拓尔普电子科技有限公司
Welink International Co., LTD.

TOLERANCE	APPROVED:	NAME: F36-1 - Pitch 7.62mm
X. ±0.50	CHECKED:	Series
X.X ±0.30	DRAWN: YangMing 2012,06,20	PART NO: F361GXX100X0
X.XX ±0.20	UNITS: mm REV: A	DWG NO: 9F361G001A
X° ±1°	SCALE: 3 / 1 PAGE: 1 / 1	