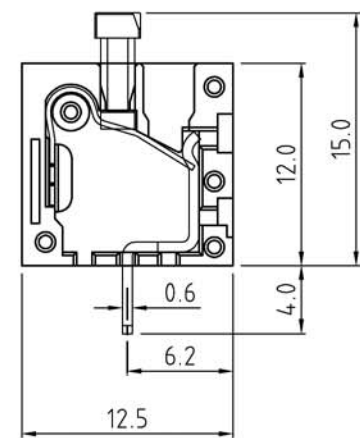
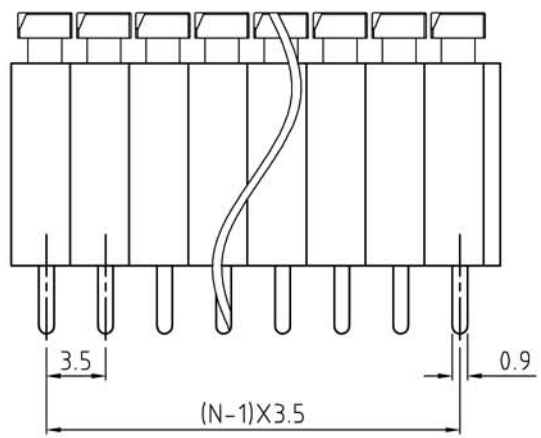
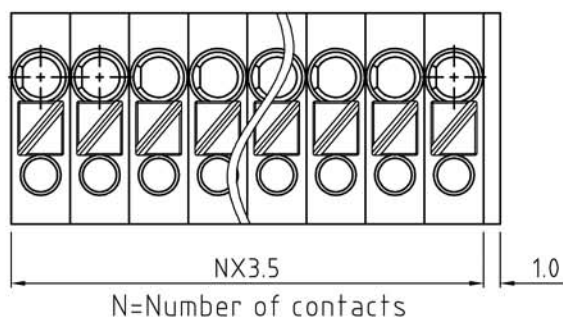
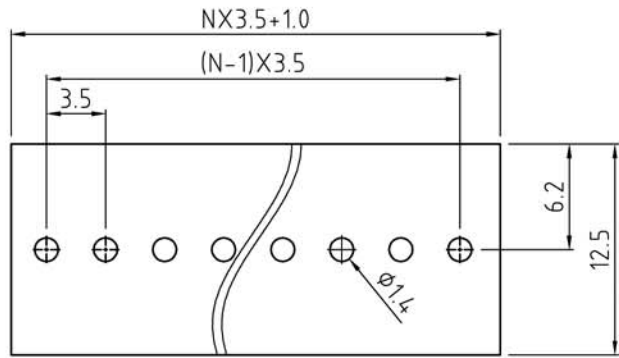


SIGN	DESCRIPTION	DATE	APPROVER
△	变更前180度是F5104, 变更后180度是F5103	YangMing	2014.08.13



P.C.B. LAYOUT



Technical Data:

Material:

Contact : Copper Alloy Tin plated

Wire guard : stainless steel

button : Polyamide(Glass filled)(UL94V-0)

Insulator body(housing) : Polyamide(Glass filled)(UL94V-0)

Electrical

Voltage rating: 300VAC

Current rating: 10 Amps/way max

Contact resistance: 20mΩ(max)

Withstanding Voltage: 2500VAC(1min) Test time=60sec/1pcs

Wire Range:14-22Awg

Mechanical:

Operating temperature: -40°C to +105°C

Soldering reliability:

Test temperature= 250°C±10°C

5 seconds max

Ordering Information:

△ F51-03-3-XX-2 0 X 0

2	02	5	Green
-	-	6	Blue
24	24	8	Grey
		A	Black

WELINK 上海拓尔普电子科技有限公司
Welink International Co., LTD.

TOLERANCE X. ±0.50 X.X ±0.30 X.XX ±0.20 X° ±1°	APPROVED:	NAME: F51-03 pitch 3.5mm - middle tail type -180D series
	CHECKED:	
	DRAWN: Yang Ming 2014.08.13	PART NO: F51033XX20X0
	UNITS: mm REV: B	DWG NO: 9F5103321B
	SCALE: 3 / 1 PAGE: 1 / 1	