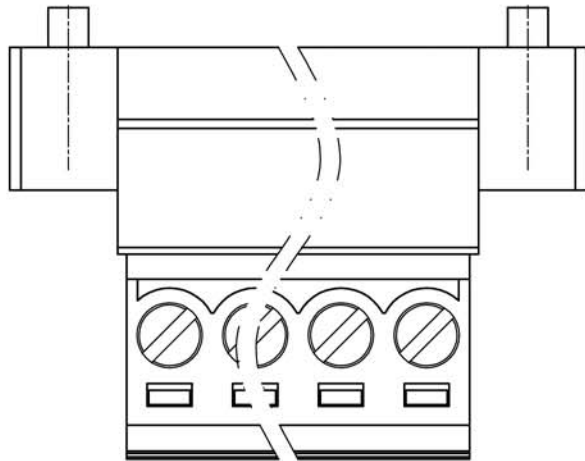
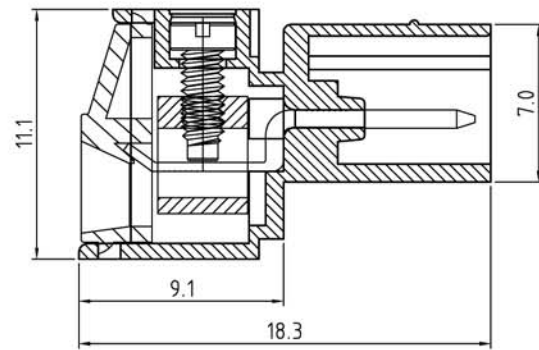
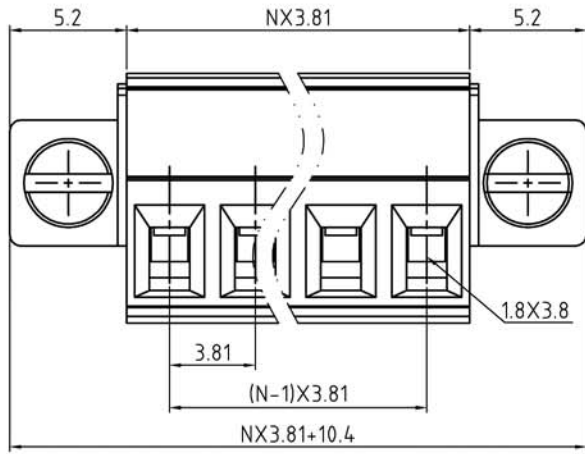


SIGN	DESCRIPTION	DATE	APPROVER



N=Number of contacts



Technical Data:

Material:

- Contact(metal housing): Copper Alloywith Ni plated
- Terminal screw: Steel galvanized with Cr3+ plated
- Pin: Copper Alloy,Tin plated.
- Insulator body(housing): Polyamide(UL94V-0)

Electrical

- Voltage rating: 300VAC
- Current rating: 12 Amps/way max
- Contact resistance: 20mΩ(max)
- Withstanding Voltage: 2500VAC(1min) Test time=60sec/1pcs
- Wire range: 16-24AWG

Mechanical:

- Torque: 2.5kgf.cm/M2
- Operating temperature: -40°C to +105°C
- Soldring reliability: Test temperature= 250°C±10°C 5 seconds max

Ordering Information:

F72 - 1 - C XX - X 0 1 X 0 0 0 0

- 2 02
- -
- 24 24
- 5 Green
- 6 Blue
- 8 Grey
- A Black

- 0 Without flange
- 1 With flange screw
- 2 Screw nut
- 1 "-" SCREW
- 2 "-/+ " SCREW

**WELINK** 上海拓尔普电子科技有限公司  
Welink International Co., LTD.

TOLERANCE X. ±0.50 X.X ±0.30 X.XX ±0.20 X° ±1°	APPROVED:	NAME: F72 - 1 Pitch 3.81mm
	CHECKED:	-series(With flange screw)
	DRAWN: Ling Yu 2013,07,31	PART NO: F721CXX101X0000
	UNITS: mm REV: A	DWG NO: 9F721C011A
	SCALE: 4 / 1 PAGE: 1 / 1	