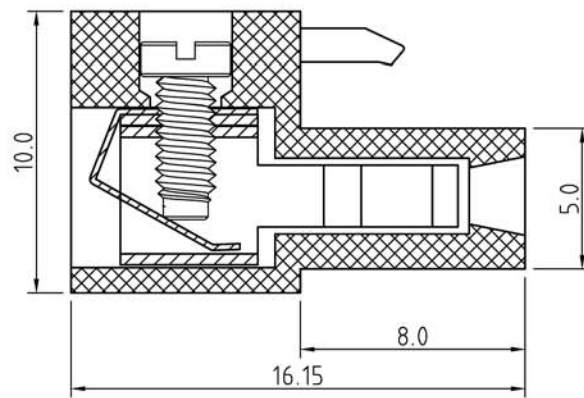
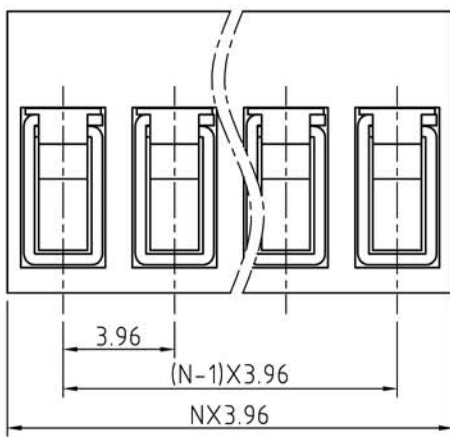
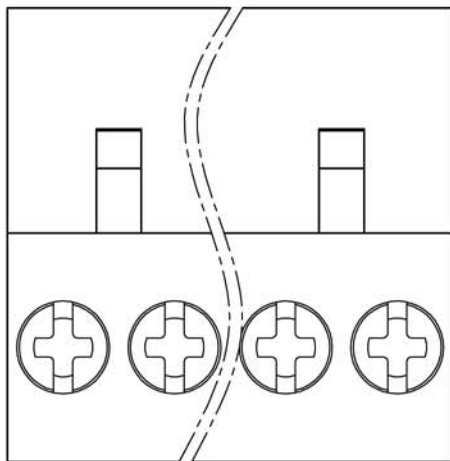


SIGN	DESCRIPTION	DATE	APPROVER



Technical Data:

Material:

- Contact(metal housing): Copper Alloy
- Terminal screw: Steel galvanized with Cr3+ plated
- Wire guard: Copper Alloy
- Insulator body(housing): Polyamide(UL94V-0)

Electrical

- Voltage rating: 300VAC
- Current rating: 12 Amps/way max
- Contact resistance: 20mΩ(max)
- Withstanding Voltage: 2500VAC(1min) Test time=60sec/1pcs
- Wire range: 16-24AWG

Mechanical:

- Torque: 2.5kgf.cm/M2
- Operating temperature: -40°C to +105°C
- Soldering reliability: Test temperature= 250°C±10°C
5 seconds max

Ordering Information:

F73 - 3 - D XX - X 0 0 X 0

- 2 02
- ~ ~
- 24 24
- 5 Green
- 6 Blue
- 8 Grey
- A Black
- 1 "-" SCREW
- 2 "-/+" SCREW

WELINK 上海拓尔普电子科技有限公司
Welink International Co., LTD.

TOLERANCE X. ±0.50 X.X ±0.30 X.XX ±0.20 X° ±1°	APPROVED:	NAME: F73 - 3 pitch 3.96mm - series
	CHECKED:	
	DRAWN: Yang Ming 2011,10,01	
UNITS: mm	REV: A	PART NO: F733DXX100X0
SCALE: 5 / 1	PAGE: 1 / 1	DWG NO: 9F733D001A