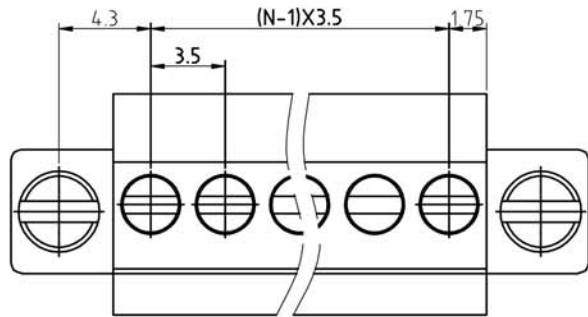
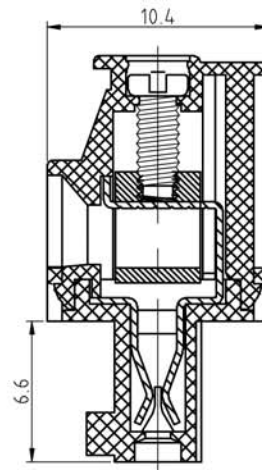
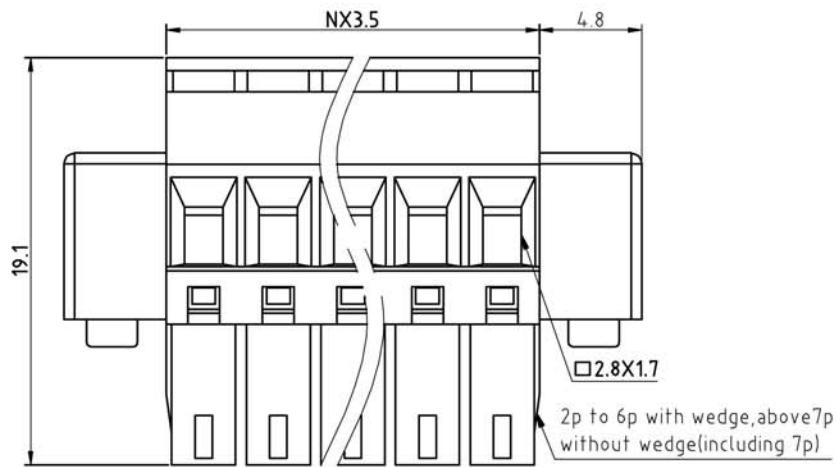
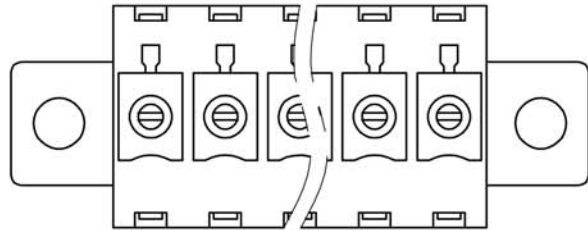


| SIGN | DESCRIPTION | DATE | APPROVER |
|------|-------------|------|----------|
| | | | |
| | | | |



N=Number of contacts

Technical Data:

Material:

Contact(metal housing): Copper Alloy, Ni plated.
Terminal screw: Steel galvanized with Cr3+ plated
Wire guard: Copper Alloy, Tin plated.
Insulator body(housing): Polyamide(UL94V-0)

Electrical

Voltage rating: 300VAC
Current rating: 12 Amps/way max
Contact resistance: 20mΩ (max)
Withstanding Voltage: 2500VAC(1min) Test time=60sec/1pcs
Wire range: 16-24AWG

Mechanical:

Torque: 2.5kgf.cm/M2
Operating temperature: -40°C to +105°C
Soldering reliability:
Test temperature= 250°C±10°C
5 seconds max

Ordering Information:

F73-C-3 XX-X 0 0 X 0

| | | | |
|----|----|---|------------|
| 2 | 02 | 5 | Green |
| 4 | 04 | 6 | Blue |
| 20 | 20 | A | Black |
| | | 1 | "-"Screw |
| | | 2 | "-/+"Screw |

WELINK 上海拓尔普电子科技有限公司
Welink International Co., LTD.

| | | |
|------------|-----------------------------|--------------------------|
| TOLERANCE | APPROVED: | NAME: |
| X ±0.50 | CHECKED: | F73-C Pitch 3.5mm Series |
| X.X ±0.30 | DRAWN: Yang Ming 2012.06.20 | |
| X.XX ±0.20 | UNITS: mm | PART NO: F73C3XX100X0 |
| X° ±1° | REV: A | DWG NO: 9F73C3001A |
| ⊕ | SCALE: 4 / 1 | PAGE: 1 / 1 |