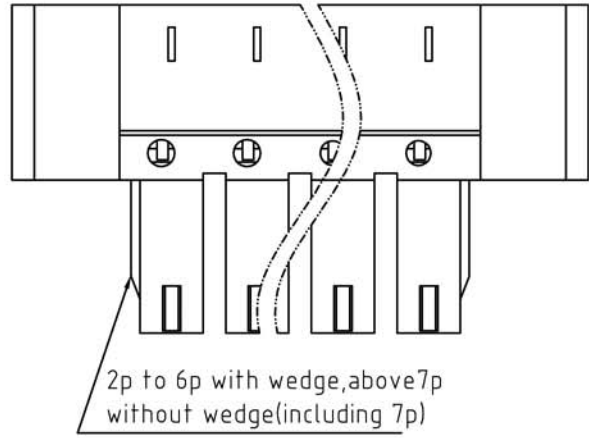
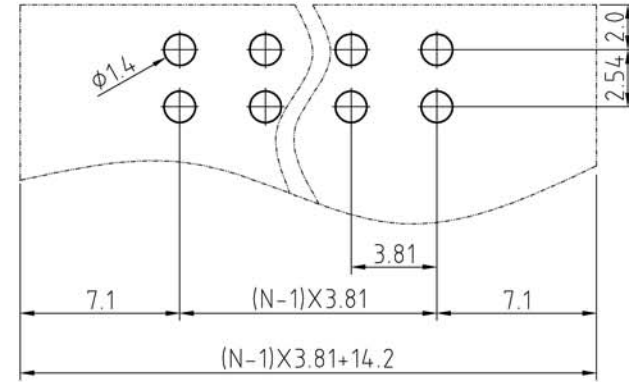


SIGN	DESCRIPTION	DATE	APPROVER

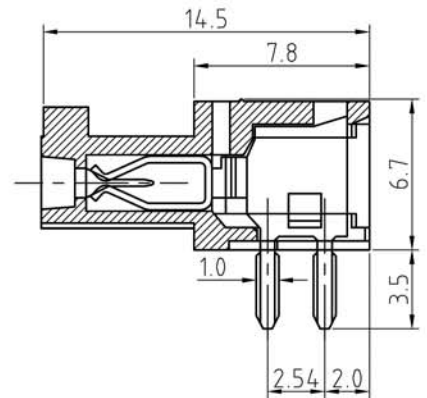
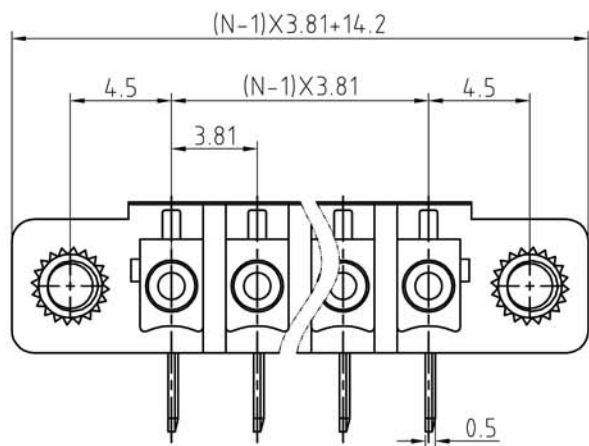


2p to 6p with wedge, above 7p
without wedge (including 7p)

N=Number of contacts



P.C.B. LAYOUT



Technical Data:
Material:
Solder Pin: Copper Alloy with Tin plated
terminal nut: Copper Alloy.
Insulator body(housing): Polyamide(UL94V-0)
Electrical
Voltage rating: 300VAC
Current rating: 12 Amps/way max
Withstanding Voltage: 2500VAC(1min) Test time=60sec/1pcs
Mechanical:
Operating temperature: -40°C to +105°C
Soldering reliability:
Test temperature= 250°C±10°C
5 seconds max
Ordering Information:
F73-R-C XX-0 0 0 X 0
2 02 5 Green
4 04 6 Blue
20 20 A Black

WELINK 上海拓尔普电子科技有限公司
Welink International Co., LTD.

TOLERANCE	APPROVED:	NAME: F73 - R - pitch 3.81mm
X. ±0.50	CHECKED:	- series
X.X ±0.30	DRAWN: Yang Ming 2012.06.20	PART NO: F73RCXX000X0
X.XX ±0.20	UNITS: mm REV: A	DWG NO: 9F73RC001A
X° ±1°	SCALE: 4 / 1 PAGE: 1 / 1	