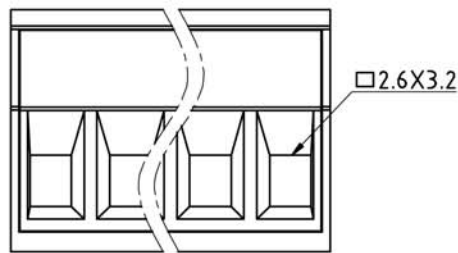
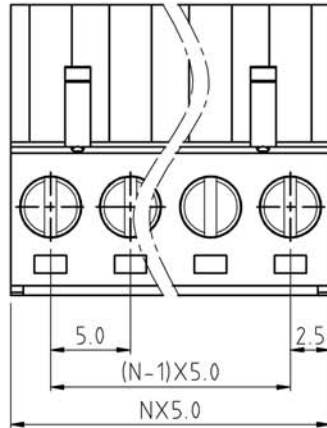
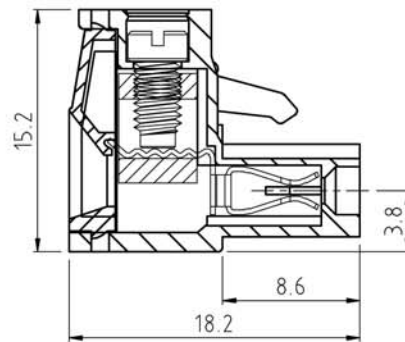


SIGN	DESCRIPTION	DATE	APPROVER



N=Number of contacts



Technical Data:

Material:

Contact(metal housing): Copper Alloy with Ni plated
Terminal screw: Steel galvanized with Cr3+ plated
Wire guard: Copper Alloy, Tin plated.
Insulator body(housing): Polyamide(UL94V-0)

Electrical

Voltage rating: 300VAC
Current rating: 16 Amps/way max
Contact resistance: 20mΩ(max)
Withstanding Voltage: 2500VAC(1min) Test time=60sec/1pcs
Wire range: 12-26AWG

Mechanical:

Torque: 5.0kgf.cm/M3
Operating temperature: -40°C to +105°C
Soldering reliability:
Test temperature= 250°C±10°C
5 seconds max

Ordering Information:

F75-5-5 XX-X 0 0 X 0

5 Green
6 Blue
8 Grey
A Black

2 02
24 24
1 "-" SCREW
2 "-/+ SCREW

WELINK 上海拓尔普电子科技有限公司
Welink International Co.,LTD.

TOLERANCE	APPROVED:	NAME: F75-5 Pitch 5.0mm
X ±0.50	CHECKED:	-series
X.X ±0.30	DRAWN: Yang Ming 2011.09.26	PART NO: F7555XX10X0
X.XX ±0.20	UNITS: mm	REV: A
X° ±1°	SCALE: 3 / 1	PAGE: 1 / 1
⊕		DWG NO: 9F7555001A