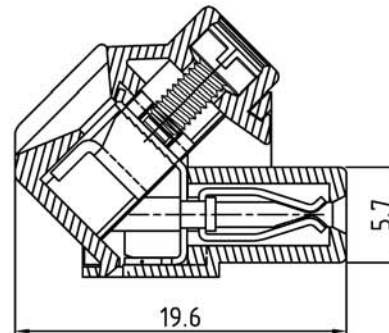
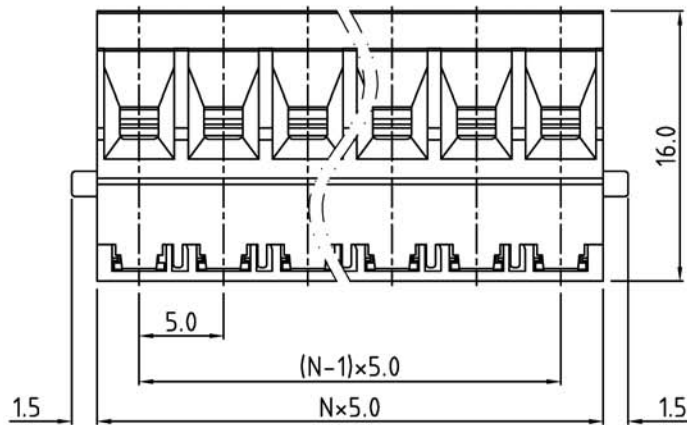
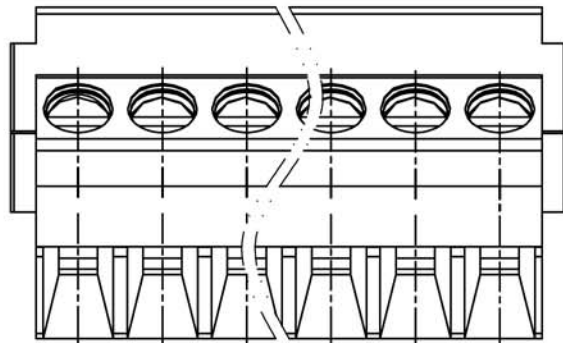


SIGN	DESCRIPTION	DATE	APPROVER



N=Number of contacts

Technical Data:

Material:

Contact(metal housing): Steel galvanized with Cr3+ plated  
Terminal screw: Steel galvanized with Cr3+ plated  
Wire guard: Copper Alloy, Ni plated + Gold plated.  
Insulator body(housing): Polyamide(UL94V-0)

Electrical

Voltage rating: 300VAC  
Current rating: 16 Amps/way max  
Contact resistance: 20mΩ(max)  
Withstanding Voltage: 2500VAC(1min) Test time=60sec/1pcs  
Wire range: 12-26AWG

Mechanical:

Torque: 5.0kgf.cm/M3  
Operating temperature: -40°C to +105°C  
Soldering reliability:  
Test temperature= 250°C±10°C  
5 seconds max

Ordering Information:

F75-3-5 XX-X 0 0 X X



- 1 "-" SCREW
- 2 "-/+ " SCREW

<b>WELINK</b> 上海拓尔普电子科技有限公司 Welink International Co., LTD.		APPROVED:		NAME: F75 - 3 Pitch 5.0mm -Series
		CHECKED:		
TOLERANCE		DRAWN: Ling Yu 2013,07,04		PART NO: F7535XX100XX
X. ±0.50		UNITS: mm	REV: A	
X.X ±0.30		SCALE: 3 / 1	PAGE: 1 / 1	DWG NO: 9F7535X01A
X.XX ±0.20				
X° ±1°				