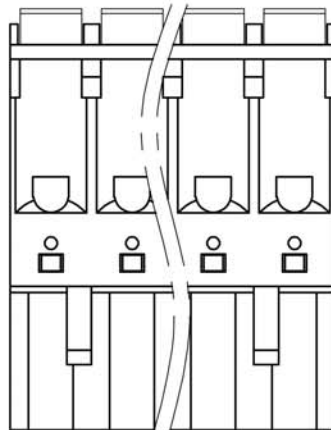
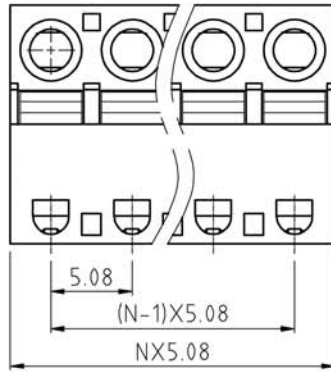
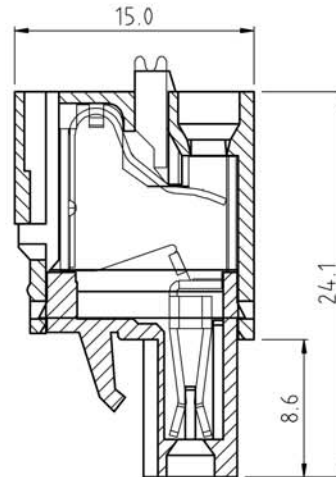
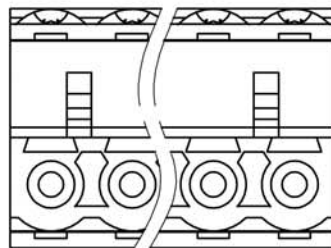


SIGN	DESCRIPTION	DATE	APPROVER



N=Number of contacts



Technical Data:

Material:

Terminal: Copper Alloy, Tin plated.

Wire guard: Copper Alloy,

Insulator body(housing): Polyamide(UL94V-0)

Electrical:

Voltage rating: 300VAC

Current rating: 16 Amps/way max

Contact resistance: 20mΩ (max)

Withstanding Voltage: 2500VAC(1min) Test time=60sec/1pcs

Wire range: 12-26AWG

Mechanical:

Operating temperature: -40°C to +120°C

Soldering reliability:

Test temperature= 250°C±10°C

5 seconds max

Ordering Information:

F75-H-E XX-00X X 0

2	02	┌──┐	5	Green
-	-		6	Blue
24	24		0	Without Flange
			1	With Flange

**WELINK** 上海拓尔普电子科技有限公司  
Welink International Co., LTD.

TOLERANCE	APPROVED:	NAME: F75-H-Pitch 5.08mm
X: ±0.50	CHECKED:	-Series
X.X: ±0.30	DRAWN: Yang Ming 2012,06,20	
X.XX: ±0.20	UNITS: mm	PART NO: F75HEXX000X0
X°: ±1°	REV: A	DWG NO: 975HE001A
⊕	SCALE: 3 / 1	PAGE: 1 / 1