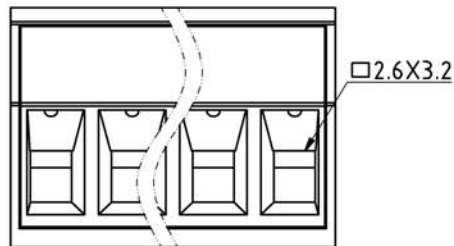
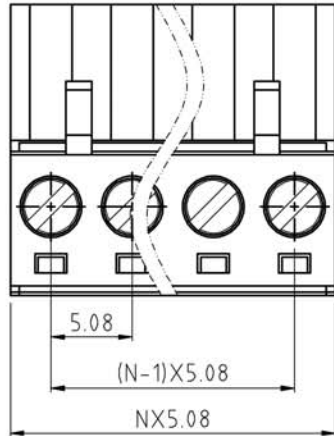
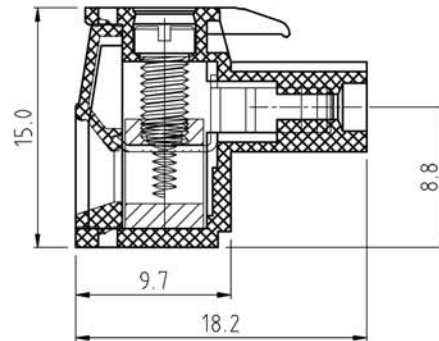


SIGN	DESCRIPTION	DATE	APPROVER



N=Number of contacts



Technical Data:

Material:

Contact(metal housing): Copper Alloy with Ni plated  
 Terminal screw: Steel galvanized with Cr3+ plated  
 Wire guard: Copper Alloy, Tin plated.  
 Insulator body(housing): Polyamide(UL94V-0)

Electrical

Voltage rating: 300VAC  
 Current rating: 16 Amps/way max  
 Contact resistance: 20mΩ(max)  
 Withstanding Voltage: 2500VAC(1min) Test time=60sec/1pcs  
 Wire range: 12-26AWG

Mechanical:

Torque: 5.0kgf.cm/M3  
 Operating temperature: -40°C to +105°C  
 Soldering reliability:  
 Test temperature= 250°C±10°C  
 5 seconds max

Ordering Information:

F75-9-E XX-X 0 0 X 0

5 Green  
 6 Blue  
 8 Grey  
 A Black

1 "-" SCREW  
 2 "-/+ " SCREW

**WELINK** 上海拓尔普电子科技有限公司  
 Welink International Co.,LTD.

TOLERANCE	APPROVED:	NAME: F75 - 9 Pitch 5.08mm Series
X: ±0.50	CHECKED:	
X.X: ±0.30	DRAWN: Yang Ming 2012,06,29	
X.XX: ±0.20	UNITS: mm	PART NO: F759EXX100X0
X°: ±1°	REV: A	DWG NO: 9F759E001A
⊕	SCALE: 3 / 1	PAGE: 1 / 1