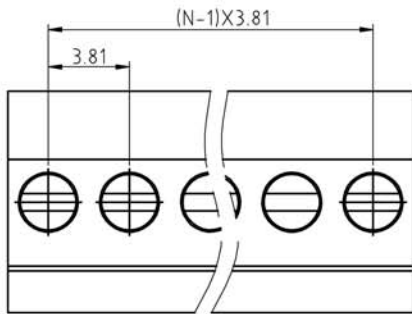
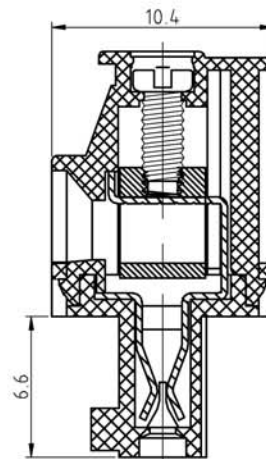
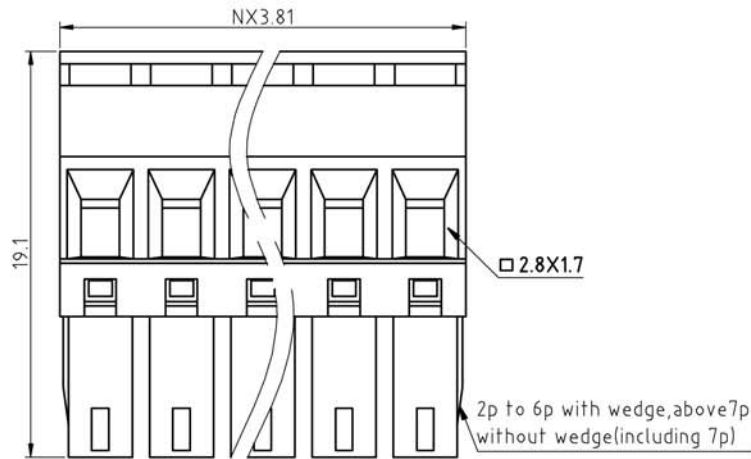
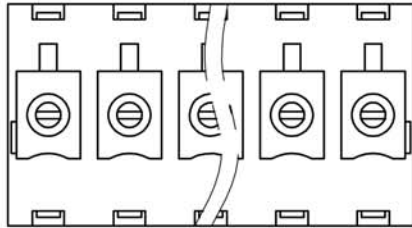


SIGN	DESCRIPTION	DATE	APPROVER



N=Number of contacts

Technical Data:

Material:

Contact(metal housing): Copper Alloy, Ni plated.  
Terminal screw: Steel galvanized with Cr3+ plated  
Wire guard: Copper Alloy, Tin plated.  
Insulator body(housing): Polyamide(UL94V-0)

Electrical

Voltage rating: 300VAC  
Current rating: 12 Amps/way max  
Contact resistance: 20mΩ (max)  
Withstanding Voltage: 2500VAC(1min) Test time=60sec/1pcs  
Wire range: 16-24AWG

Mechanical:

Torque: 2.5kgf.cm/M2  
Operating temperature: -40°C to +105°C  
Soldering reliability:  
Test temperature= 250°C±10°C  
5 seconds max

Ordering Information:

F73-B-C XX-X 0 0 X 0

2	02	5	Green
4	04	6	Blue
20	20	A	Black
		1	"-"Screw
		2	"-/+ "Screw

**WELINK** 上海拓尔普电子科技有限公司  
Welink International Co., LTD.

TOLERANCE	APPROVED:	NAME:
X: ±0.50	CHECKED:	F73-B Pitch 3.81mm Series
X.X: ±0.30	DRAWN: Yang Ming 2012.06.20	
X.XX: ±0.20	UNITS: mm	PART NO: F73BCXX100X0
X°: ±1°	REV: A	DWG NO: 9F73BC001A
	SCALE: 4 / 1	PAGE: 1 / 1