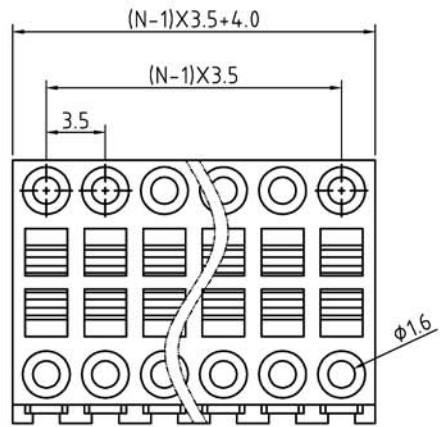
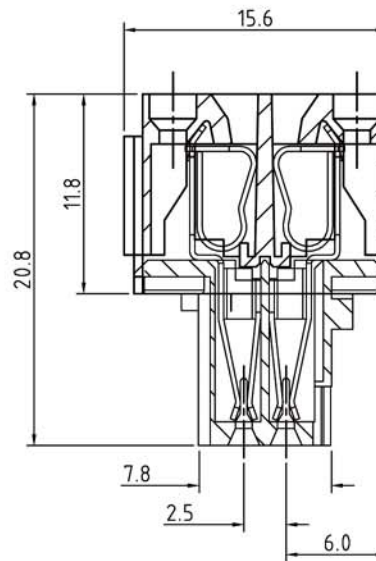
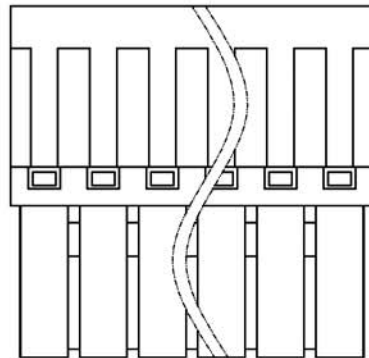


SIGN	DESCRIPTION	DATE	APPROVER



N=Number of contacts



Technical Data:

Material:

Terminal: Copper Alloy, Tin plated.

Wire guard: Stainless steel

Insulator body(housing): Polyamide(UL94V-0)

Electrical

Voltage rating: 300VAC

Current rating: 12 Amps/way max

Contact resistance: 20mΩ(max)

Withstanding Voltage: 2500VAC(1min) Test time=60sec/1pcs

Wire range: 16-24AWG

Mechanical:

Operating temperature: -40°C to +105°C

Soldering reliability:

Test temperature= 250°C±10°C

5 seconds max

Ordering Information:

F73 - A - 3 XX - 00 0 X 0 0 0 0

2 02
- -
24 24

3 Orange
5 Green
6 Blue
8 Grey
A Black

1 without flange
2 with flange

WELINK 上海拓尔普电子科技有限公司
Welink International Co., LTD.

TOLERANCE X. ±0.50 X.X ±0.30 X.XX ±0.20 X° ±1°	APPROVED:		NAME: F73-A Pitch 3.5mm -seriec- without flange
	CHECKED:		
	DRAWN: Ling Yu 2013,07,01		
UNITS: mm	REV: A	PART NO: F73A3XX001X0000	
SCALE: 3 / 1	PAGE: 1 / 1	DWG NO: 7F73A3011A	