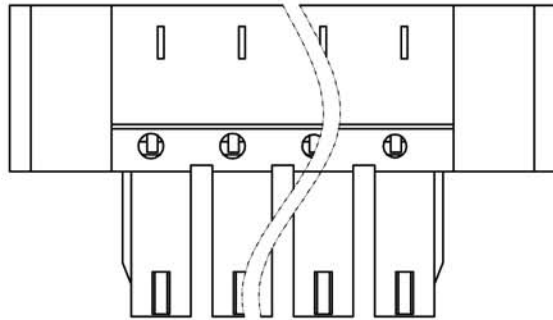
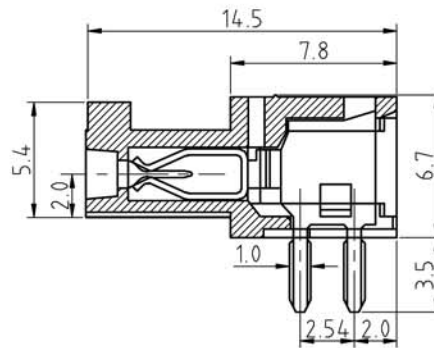
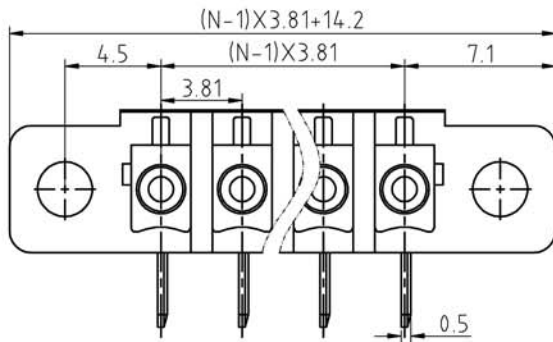
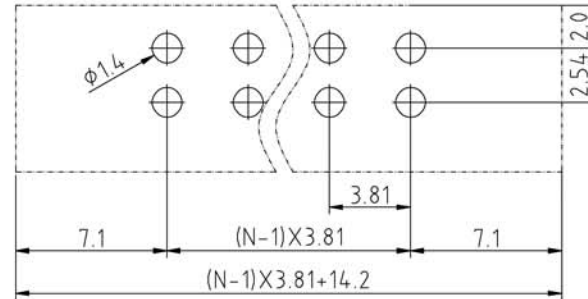


SIGN	DESCRIPTION	DATE	APPROVER



N=Number of contacts



Technical Data:

Material:

Wire guard: Copper Alloy, Tin plated
 Insulator body(housing): Polyamide(UL94V-0)

Electrical

Voltage rating: 300VAC
 Current rating: 12 Amps/way max
 Withstanding Voltage: 2500VAC(1min) Test time=60sec/1pcs

Mechanical:

Operating temperature: -40°C to +105°C

Soldering reliability:

Test temperature= 250°C±10°C
 5 seconds max

Ordering Information:

F73-N-C XX-0 0 0 X 0

2	02	5	Green
4	04	6	Blue
20	20	A	Black

WELINK 上海拓尔普电子科技有限公司
 Welink International Co., LTD.

TOLERANCE X ±0.50 X.X ±0.30 X.XX ±0.20 X° ±1°	APPROVED:	NAME: F73 - N - pitch 3.81mm - series
	CHECKED:	
	DRAWN: Yang Ming 2011,10,01	PART NO: F73NCXX00050
	UNITS: mm REV: A	DWG NO: 9F73NC002A
	SCALE: 4 / 1	PAGE: 1 / 1