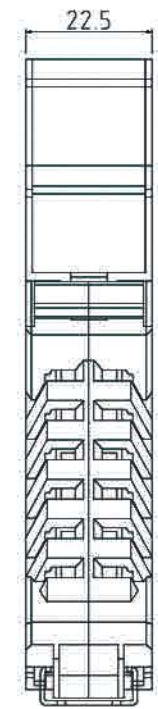
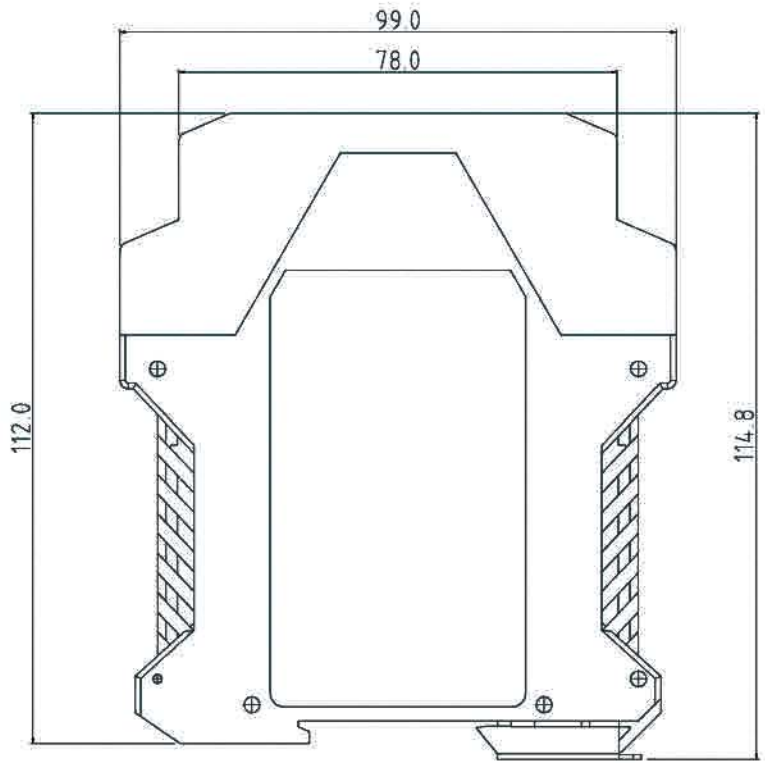


SIGN	DESCRIPTION	DATE	APPROVER



Technical Data:
Material:

- Terminal bldy Thermoplastic(UL94V-0)
- Terminal cover Thermoplastic(UL94V-0)
- Dinrail wire guard:steel Cr³⁺ plated
- Contacts:Copper Alloywith Ni plated
- terminal card thermoplastic(UL94-0)
- Spring:Stainless steel

WELINK

上海拓尔普电子科技有限公司
Welink International Co.,LTD.

TOLERANCE	APPROVED:	NAME
X ±0.30	CHECKED:	F7B-1-22.5-4P0le
X.X ±0.15	DRAWN: Ling Yu 2014.09.26	PART NO: F7B150400050000
X.XX ±0.05	UNITS: mm REV: A	DWG NO: 8F7B15001A
X° ±1°	SCALE: 1/3 PAGE: 1/1	



D

D

C

C

B

B

A

A

1

2

3

4

5