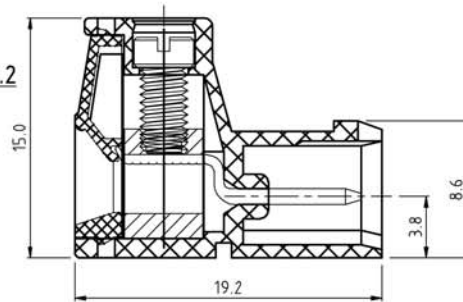
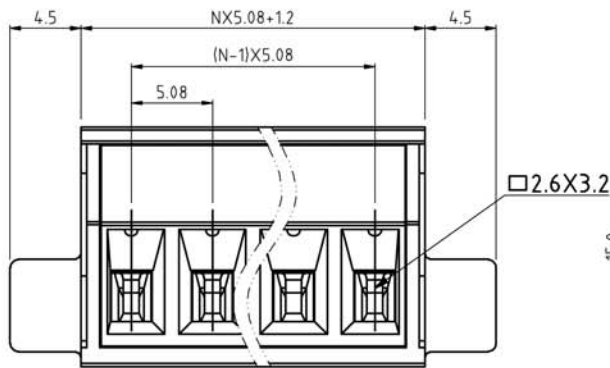
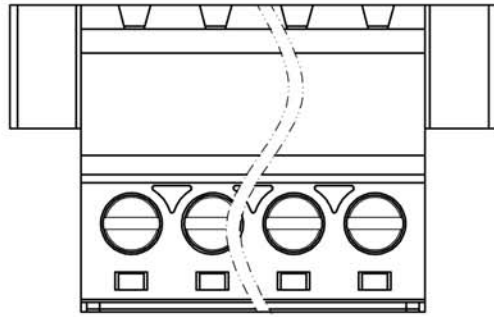


SIGN	DESCRIPTION	DATE	APPROVER



N=Number of contacts

Technical Data:

Material:

Contact(metal housing): Copper Alloy Ni plated.
Terminal screw: Steel galvanized with Cr3+ plated
Surface of solder tail: Copper Alloy Tin plated.
Metal nut:Copper Alloy

Insulator body(housing): Polyamide(UL94V-0)

Electrical

Voltage rating: 300VAC
Current rating: 16 Amps/way max
Contact resistance: 20mΩ(max)
Withstanding Voltage: 2500VAC(1min) Test time=60sec/1pcs
Wire range: 12-26AWG

Mechanical:

Torque: 5.0kgf.cm/M3
Operating temperature: -40°C to +105°C
Soldering reliability:
Test temperature= 250°C±10°C
5 seconds max

Ordering Information:

F76-2-E XX-X 0 0 X 0

5 Green
6 Blue
8 Grey
A Black

2 02
- -
24 24
1 "-" SCREW
2 "-/+ " SCREW

WELINK 上海拓尔普电子科技有限公司
Welink International Co.,LTD.

TOLERANCE	APPROVED:	NAME:
X ±0.50	CHECKED:	F76-2 Pitch 5.08mm
X.X ±0.30	DRAWN: Yang Ming 2012,06,20	-series
X.XX ±0.20	UNITS: mm	REV: A
X° ±1°	SCALE: 3 / 1	PAGE: 1 / 1
		PART NO: F762EXXX00X0
		DWG NO: 9F762E001A