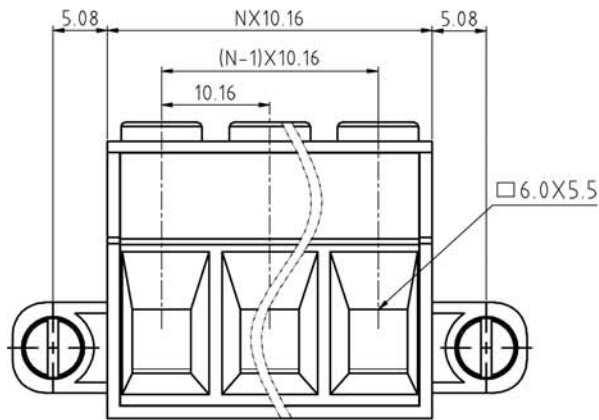
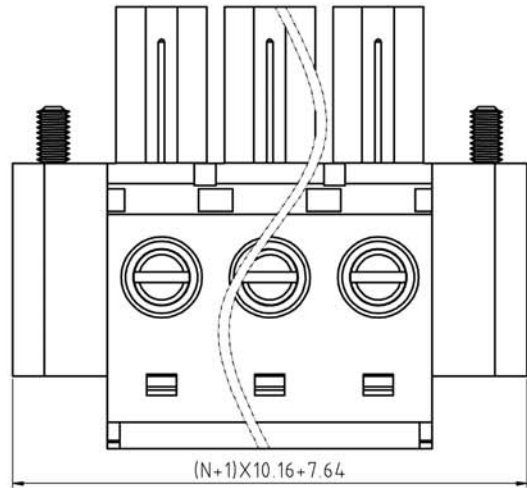
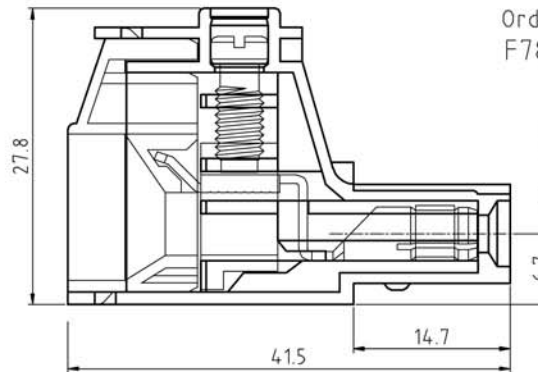


SIGN	DESCRIPTION	DATE	APPROVER



N=Number of contacts



Technical Data:

Material:

Contact(metal housing): Copper Alloy Ni plated
Terminal screw: Steel galvanized with Cr3+ plated
Wire guard: Copper Alloy Tin plated
Wire guard: Stainless steel

Insulator body(housing): Polyamide(UL94V-0)

Electrical

Voltage rating: 300VAC
Current rating: 60 Amps/way max
Contact resistance: 20mΩ(max)
Withstanding Voltage: 2500VAC(1min) Test time=60sec/1pcs
Wire range: 6-20AWG

Mechanical:

Torque: 12kgf.cm/M4.5
Operating temperature: -40°C to +105°C
Soldering reliability:
Test temperature= 250°C±10°C
5 seconds max

Ordering Information:

F78-6-K XX-X 0 0 X 0

2 02
- -
24 24
6.7
1 "-" SCREW
2 "-/+ " SCREW

5 Green
6 Blue
8 Grey
A Black

WELINK 上海拓尔普电子科技有限公司
Welink International Co.,LTD.

TOLERANCE	APPROVED:	NAME: F78 - 6 - Pitch 10.16mm
X ±0.50	CHECKED:	- Series
X.X ±0.30	DRAWN: Yang Ming 2011,12,03	
X.XX ±0.20	UNITS: mm	PART NO: F786KXX100X0
X° ±1°	REV: A	DWG NO: 9F786K001A
	SCALE: 2 / 1	PAGE: 1 / 1