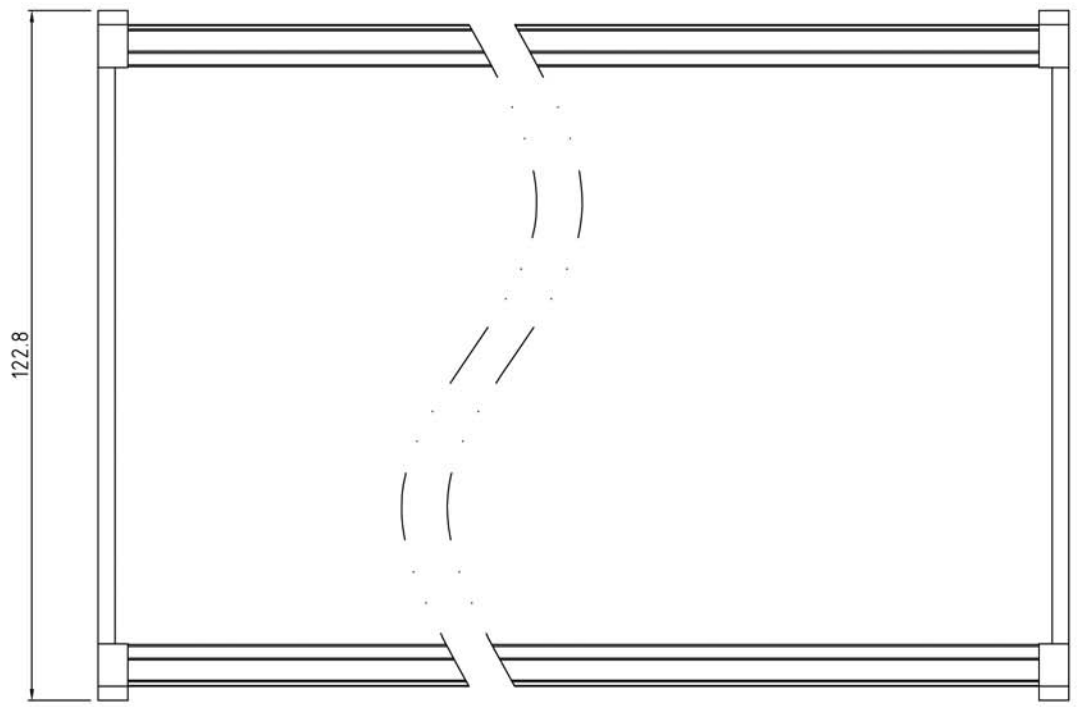


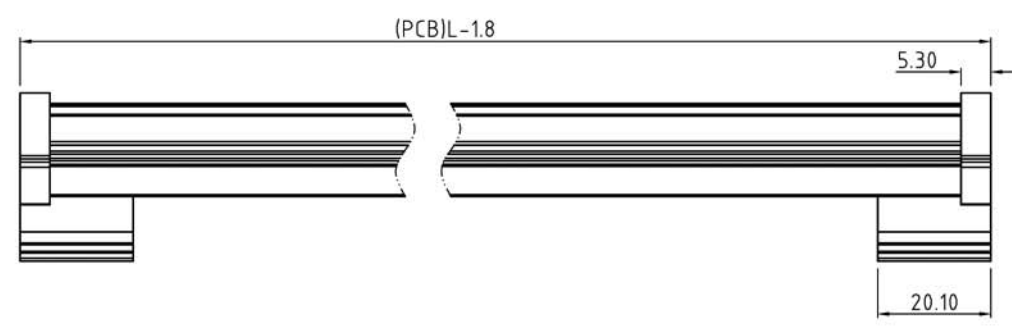
SIGN	DESCRIPTION	DATE	APPROVER



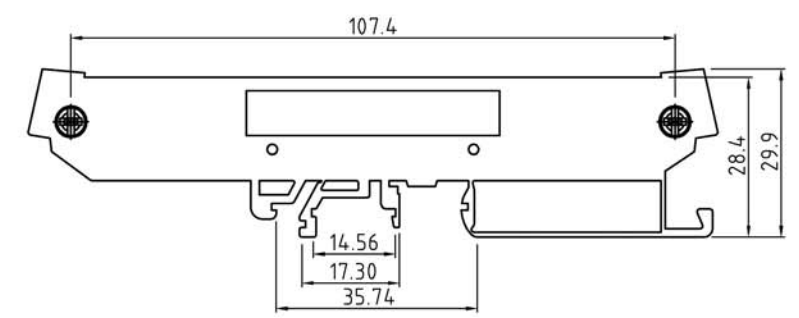
Technical Data:
 Material:
 Insulator body(housing): PVC(UL94V-0)
 Insulator side cover left Thermoplastic(UL94V-0)
 Insulator side cover right Thermoplastic(UL94V-0)
 Screw steel,zinc&Ni Plated

F7A-3-X XX 0 0 2 X 0

02	2Pin	5	Green
To	To	6	Blue
24	24Pin	A	Black



PCB thick:1.6±0.10
 PCB width:107.05±0.05



WELINK 上海拓尔普电子科技有限公司
 Welink International Co.,LTD.

TOLERANCE X. ±0.30 X.X ±0.15 X.XX ±0.05 X° ±1°	APPROVED:	NAME: F7A3-107
	CHECKED:	
	DRAWN: LingYu 2014,05,17	
UNITS: mm	REV: A	PART NO: F7A3XXX002X0
SCALE: 1/1	PAGE: 1/1	DWG NO: 9F7A3X021A