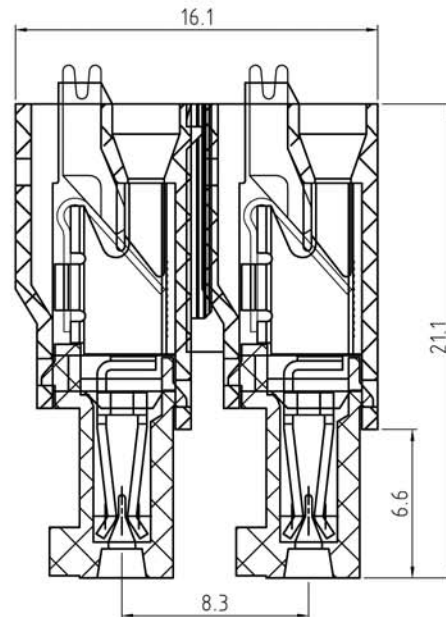
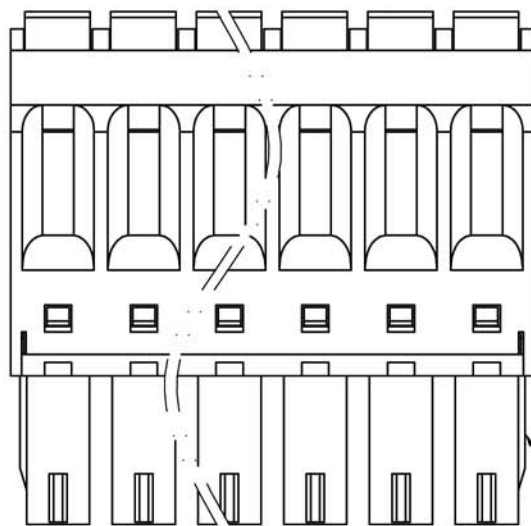
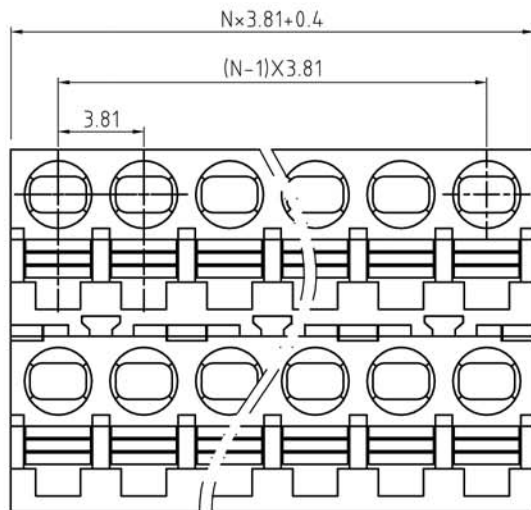


SIGN	DESCRIPTION	DATE	APPROVER



2p to 6p with wedge, above 7p  
without wedge (including 7p)

N=Number of contacts

Technical Data:

Material:

- terminal: Copper Alloy with Tin plated
- Spring Clamp: Stainless steel
- Insulator body (housing): Polyamide (UL94V-0)

Electrical

- Voltage rating: 300VAC
- Current rating: 12 Amps/way max
- Contact resistance: 20mΩ(max)
- Withstanding Voltage: 2500VAC(1min) Test time=60sec/1pcs
- Wire range: 16-24AWG

Mechanical:

- Operating temperature: -40°C to +105°C
- Soldering reliability:  
Test temperature= 250°C±10°C  
5 seconds max

Ordering Information:

F73 - V - C XX - 00 02 X 0000

- 2 02
- -
- 24 24
- 5 Green
- 6 Blue
- 8 Grey
- A Black

<b>WELINK</b> 上海拓尔普电子科技有限公司		Welink International Co., LTD.	
TOLERANCE	APPROVED:	NAME: F73 - V - pitch3.81mm	
X. ±0.50	CHECKED:	- series-無耳	
X.X ±0.30	DRAWN: Ling Yu	2018.05.02	PART NO: F73VCXX000X0000
X.XX ±0.20	UNITS: mm	REV: A	DWG NO: 9F73VC001A
X° ±1°	SCALE: 4 / 1	PAGE: 1 / 1	