

1

2

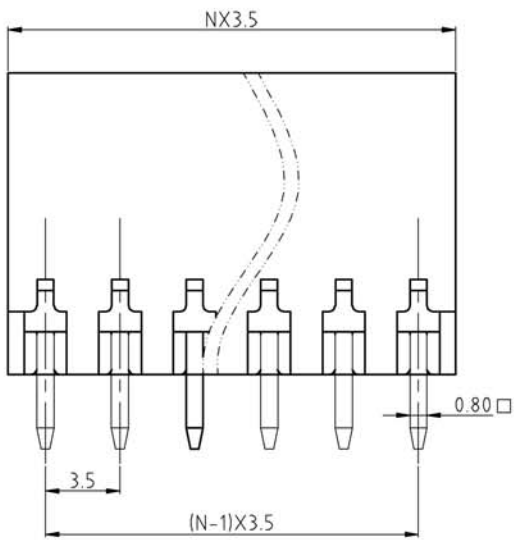
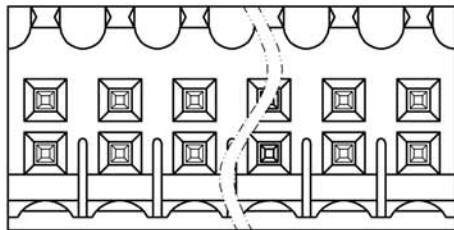
3

4

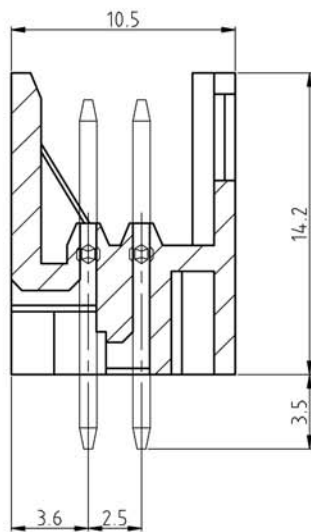
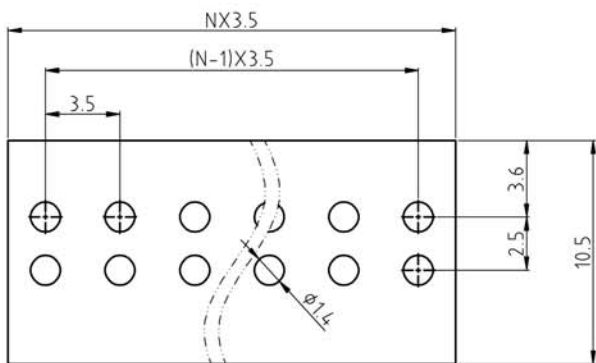
5

SIGN	DESCRIPTION	DATE	APPROVER

N=Number of contacts



PCB. LAYOUT



Technical Data:

Material:

Solder Pin: Copper Alloy Tin plated

Insulator body(housing): Polyamide(Glass filled)(UL94V-0)

Electrical

Voltage rating: 300VAC

Current rating: 12 Amps/way max

Withstanding Voltage: 2500VAC(1min) Test time=60sec/1pcs

Mechanical:

Operating temperature: -40°C to +105°C

Soldering reliability:

Test temperature= 250°C±10°C

5 seconds max

Ordering Information:

F83-A-3 XX 0 X X X 0

- 02 2Pin
- To To
- 24 24Pin
- 5 Green
- 6 Blue
- A Black
- 0 Open
- 1 Close
- 3 Square nut
- 0 180°
- 1 90°

WELINK 上海拓尔普电子科技有限公司
Welink International Co.,LTD.

TOLERANCE	APPROVED:	NAME:
X ±0.30	CHECKED:	F83-A Pitch 3.5mm
X.X ±0.15	DRAWN: YangMing 2013,01,25	- Open-180D
X.XX ±0.05	UNITS: mm	-Series
X° ±1°	REV: A	PART NO: F83A3XX000X0
SCALE: 4 / 1	PAGE: 1 / 1	DWG NO: 9F83A3001A

1

2

3

4

5