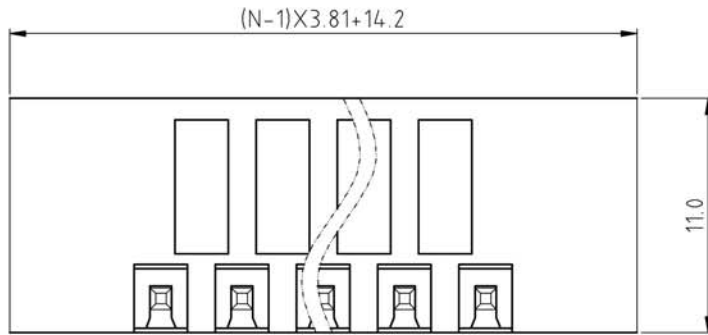
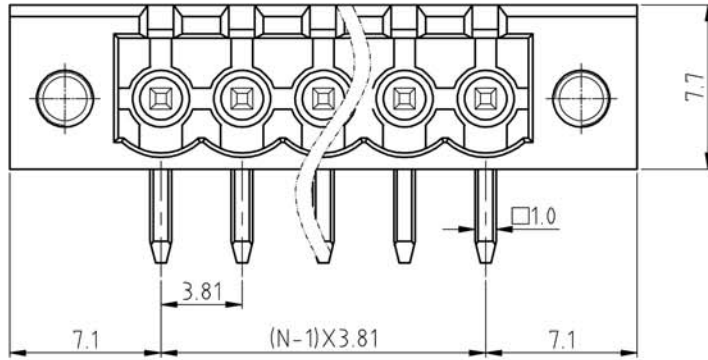
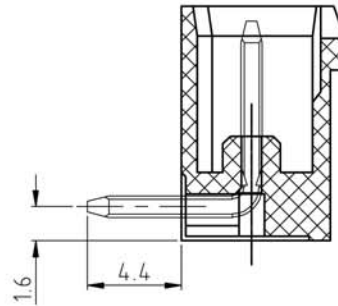
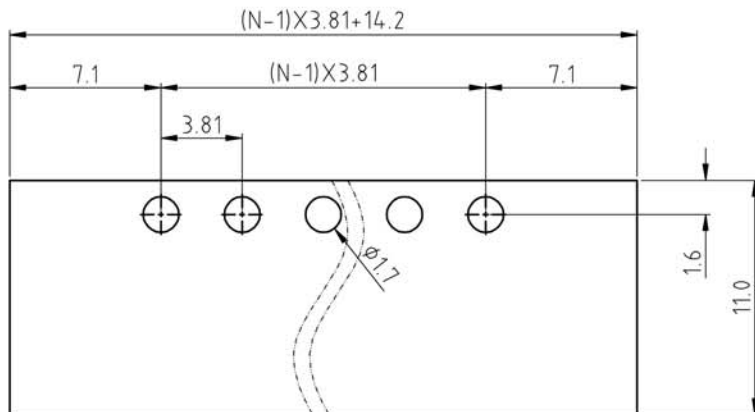


SIGN	DESCRIPTION	DATE	APPROVER

N=Number of contacts



PCB LAYOUT



Technical Data:

Material:

Solder Pin: Copper Alloy Tin plated

Square nut : Copper Alloy Tin plated

Insulator body(housing): Polyamide(Glass filled)(UL94V-0)

Electrical

Voltage rating: 300VAC

Current rating: 12 Amps/way max

Withstanding Voltage: 2500VAC(1min) Test time=60sec/1pcs

Mechanical:

Operating temperature: -40°C to +105°C

Soldering reliability:

Test temperature= 250°C±10°C

5 seconds max

Ordering Information:

F83-9-C XX 0 X X X 0

- | | | | |
|----|-------|---|------------|
| 02 | 2Pin | 5 | Green |
| To | To | 6 | Blue |
| 24 | 24Pin | A | Black |
| | | 0 | Open |
| | | 1 | Close |
| | | 2 | Screw nut |
| | | 3 | Square nut |
| | | 0 | 180° |
| | | 1 | 90° |

WELINK 上海拓尔普电子科技有限公司
Welink International Co., LTD.

TOLERANCE	APPROVED:	NAME:
X ±0.30	CHECKED:	F83-9 Pitch 3.81mm
X.X ±0.15	DRAWN: YangMing 2012,10,17	-Screw nut-90D-
X.XX ±0.05	UNITS: mm REV: A	Series
X° ±1°	SCALE: 4 / 1 PAGE: 1 / 1	PART NO: F839CXX012X0
		DWG NO: 9F839C001A