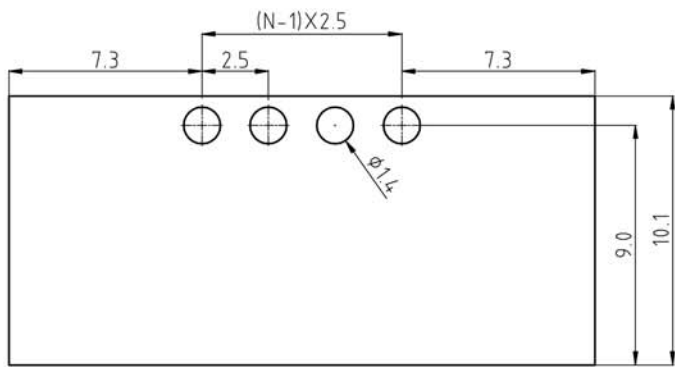
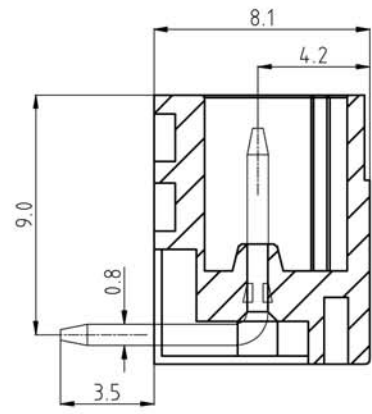
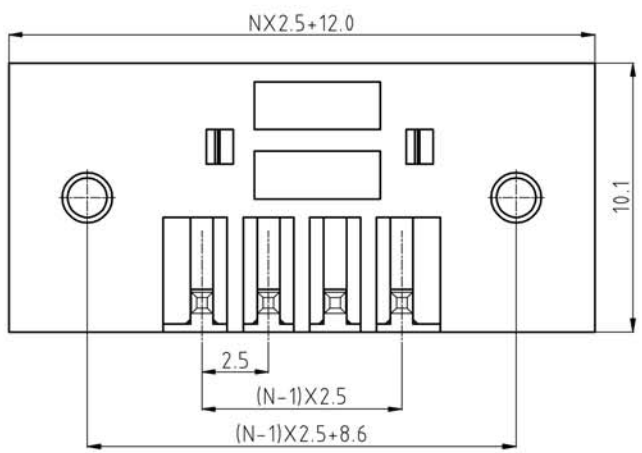


N=Number of contacts



PCB. LAYOUT

SIGN	DESCRIPTION	DATE	APPROVER

Technical Data:  
 Material:  
 Solder Pin: Copper Alloy Tin plated  
 Metal nut: Copper Alloy  
 Insulator body(housing): Polyamide(Glass filled)(UL94V-0)  
 Electrical  
 Voltage rating: 300VAC  
 Current rating: 12 Amps/way max  
 Withstanding Voltage: 2500VAC(1min) Test time=60sec/1pcs  
 Mechanical:  
 Operating temperature: -40°C to +105°C  
 Soldering reliability:  
 Test temperature= 250°C±10°C  
 5 seconds max  
 Ordering Information:  
 F83-8-2 XX 0 0 0 X 0

02	2Pin	5	Green
To	To	6	Blue
24	24Pin	A	Black

**WELINK** 上海拓尔普电子科技有限公司  
 Welink International Co., LTD.

TOLERANCE	APPROVED:	NAME:
X ±0.30	CHECKED:	F83-8 Pitch 2.5mm
X.X ±0.15	DRAWN: YangMing 2012,06,20	-Series
X.XX ±0.05	UNITS: mm	PART NO: F8382XX000X0
X° ±1°	REV: A	DWG NO: 9F8382001A
	SCALE: 5 / 1	PAGE: 1 / 1