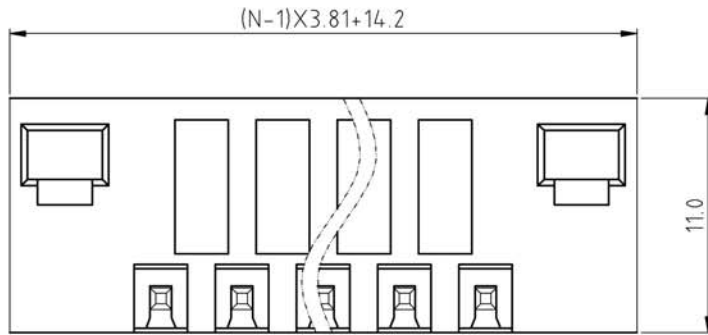
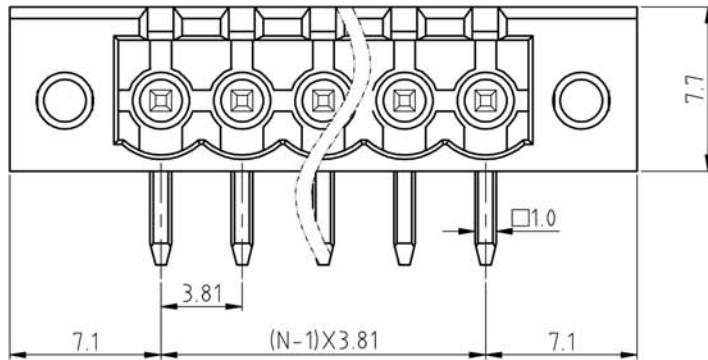
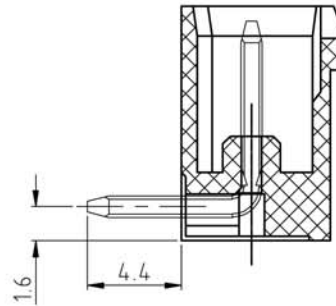
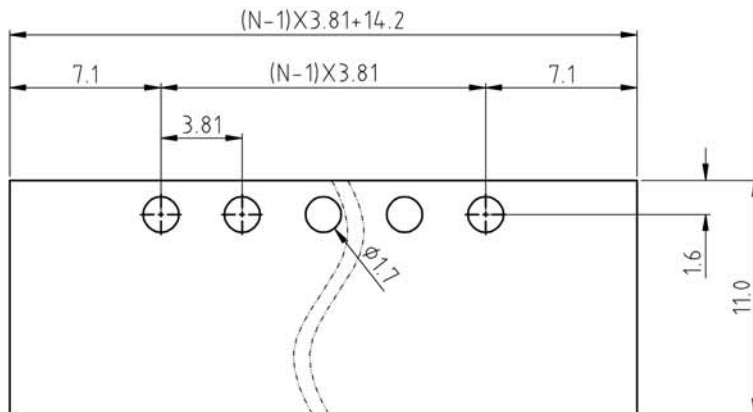


SIGN	DESCRIPTION	DATE	APPROVER

N=Number of contacts



PCB LAYOUT



Technical Data:

Material:

Solder Pin: Copper Alloy Tin plated

Square nut : Copper Alloy Tin plated

Insulator body(housing): Polyamide(Glass filled)(UL94V-0)

Electrical

Voltage rating: 300VAC

Current rating: 12 Amps/way max

Withstanding Voltage: 2500VAC(1min) Test time=60sec/1pcs

Mechanical:

Operating temperature: -40°C to +105°C

Soldering reliability:

Test temperature= 250°C±10°C

5 seconds max

Ordering Information:

F83-9-C XX 0 X X X 0

02 2Pin
To To
24 24Pin

5 Green
6 Blue
A Black

0 Open
1 Close
2 Screw nut
3 Square nut

0 180°
1 90°

WELINK 上海拓尔普电子科技有限公司
Welink International Co., LTD.

TOLERANCE	APPROVED:	NAME:
X ±0.30	CHECKED:	F83-9 Pitch 3.81mm
X.X ±0.15	DRAWN: YangMing 2012,10,17	-Square nut-90D-
X.XX ±0.05	UNITS: mm REV: A	Series
X° ±1°	SCALE: 4 / 1 PAGE: 1 / 1	PART NO: F839CXX013X0
		DWG NO: 9F839C001A