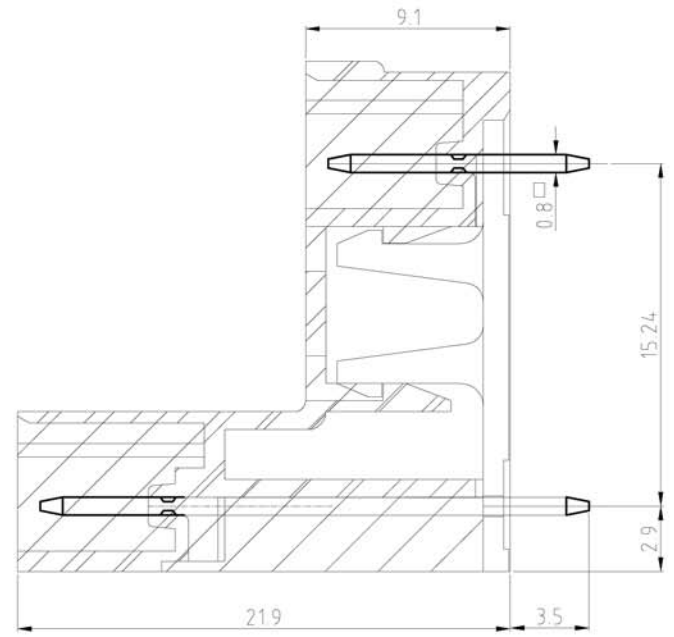
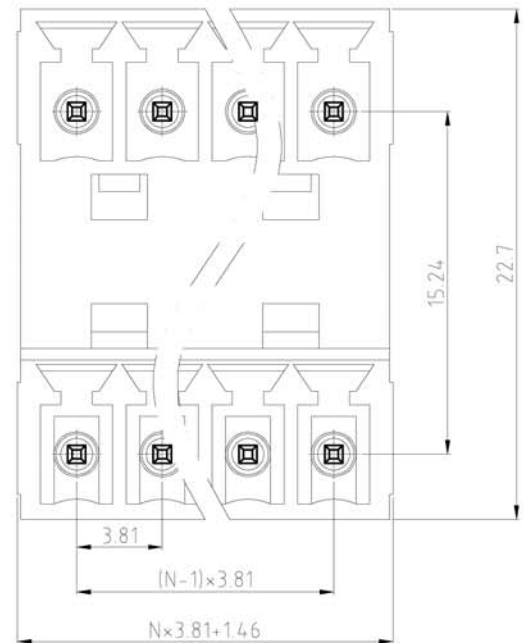


SIGN	DESCRIPTION	DATE	APPROVER

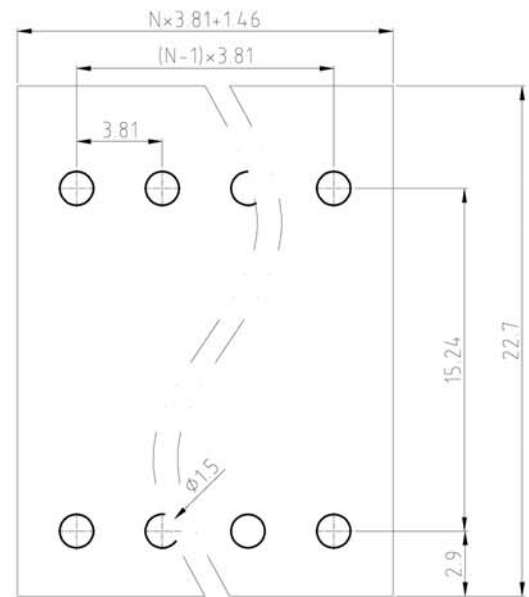


Technical Data:  
 Material:  
 Solder Pin: Copper Alloy Tin plated  
 Insulator body(housing): Polyamide (Glass filled)(UL94V-0)  
 Electrical  
 Voltage rating: 300VAC  
 Current rating: 12A  
 Withstanding Voltage: AC 2500V(1min)  
 Mechanical:  
 Using temperature Range: -40°C to +105°C  
 Soldering temperature:+250°C,5seconds Max.  
 Ordering Information:

F83-M-C XX-0 0 0 X 0

- 02 2Pin
- To To
- 24 24Pin
- 5 Green
- 6 Blue
- A Black
- 0 180°
- 1 90°
- 0 Open
- 1 Close
- 2 Screw nut
- 3 Square nut

N=Number of contacts



PCB. LAYOUT

<b>WELINK</b>		上海拓尔普电子科技有限公司 Welink International Co.,LTD.	
TOLERANCE	APPROVED:	NAME:	F83-M Pitch 3.81mm
X. ±0.50	CHECKED:		-Series-180°(Close)
X.X ±0.30	DRAWN: Ling Yu 2014,09,18	PART NO:	F83MCXX001X0
X.XX ±0.20	UNITS: mm	REV: A	DWG NO: 9F83MC011A
X° ±1°	SCALE: 4 / 1	PAGE: 1 / 1	