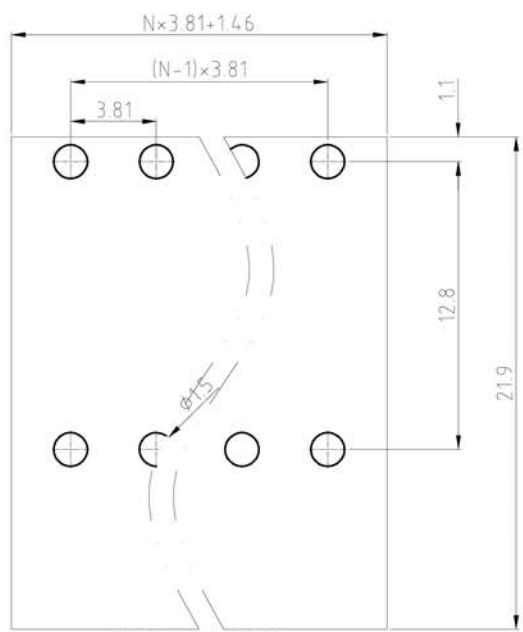
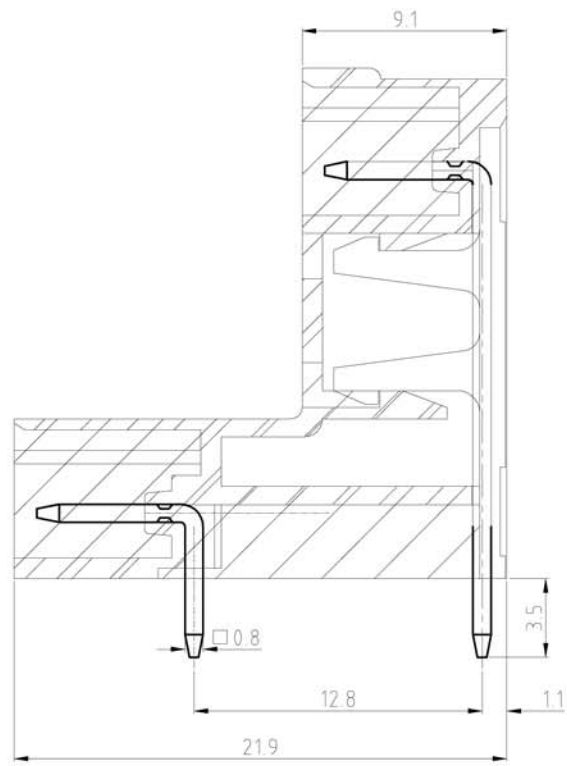


N=Number of contacts



PCB LAYOUT



| SIGN | DESCRIPTION | DATE | APPROVER |
|------|-------------|------|----------|
| | | | |

Technical Data:
 Material:
 Solder Pin: Copper Alloy Tin plated
 Insulator body(housing): Polyamide (Glass filled)(UL94V-0)
 Electrical
 Voltage rating: 300VAC
 Current rating: 12A
 Withstanding Voltage: AC 2500V(1min)
 Mechanical:
 Using temperature Range: -40°C to +105°C
 Soldering temperature:+250°C,5seconds Max.

Ordering Information:
F83-M-C XX-0 0 0 X 0

- 02 2Pin
- To To
- 24 24Pin
- 5 Green
- 6 Blue
- A Black
- 0 180°
- 1 90°
- 0 Open
- 1 Close
- 2 Screw nut
- 3 Square nut

WELINK

上海拓尔普电子科技有限公司
 Welink International Co.,LTD.

| | | |
|------------|---------------------------|-----------------------|
| TOLERANCE | APPROVED: | NAME: |
| X. ±0.50 | CHECKED: | F83-M Pitch 3.81mm |
| X.X ±0.30 | DRAWN: Ling Yu 2014,09,18 | -Series-90°(Close) |
| X.XX ±0.20 | UNITS: mm | PART NO: F83MCXX011X0 |
| X° ±1° | SCALE: 4 / 1 | DWG NO: 9F83MC111A |
| | REV: A | |
| | PAGE: 1 / 1 | |