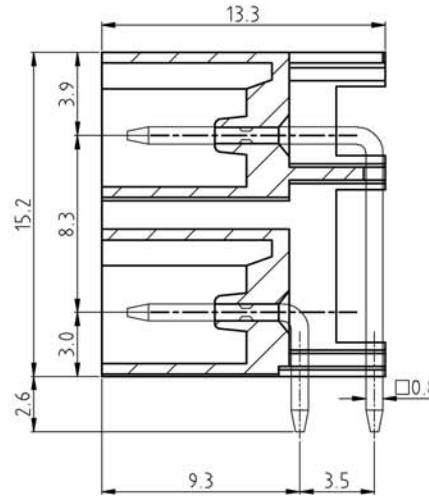
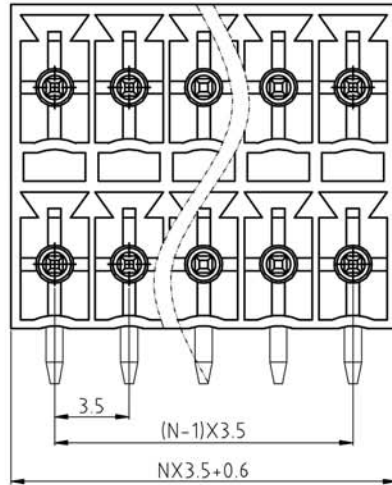


SIGN	DESCRIPTION	DATE	APPROVER

N=Number of contacts



Technical Data:

Material:

Solder Pin: Copper Alloy Tin plated

Insulator body(housing): Polyamide

(Glass filled)(UL94V-0)

Electrical

Voltage rating: 300VAC

Current rating: 12A

Withstanding Voltage: AC 2500V(1min)

Mechanical:

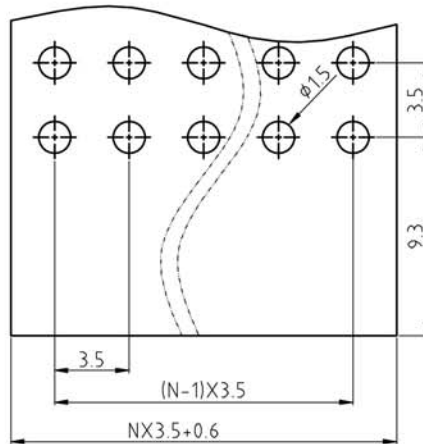
Using temperature Range: -40°C to +105°C

Soldering temperature:+250°C,5seconds Max.

Ordering Information:

F83-W-3 XX-0 0 0 X 0

02	2Pin	5	Green
To	To	6	Blue
24	24Pin	A	Black



PCB LAYOUT

WELINK 上海拓尔普电子科技有限公司
Welink International Co., LTD.

TOLERANCE	APPROVED:	NAME:
X: ±0.30	CHECKED:	F83-W Pitch 3.5mm
X.X: ±0.15	DRAWN: YangMing 2012,06,20	-Series
X.XX: ±0.05	UNITS: mm	PART NO: F83W3XX000X0
X°: ±1°	REV: A	DWG NO: 9F83W3001A
	SCALE: 4 / 1	PAGE: 1 / 1