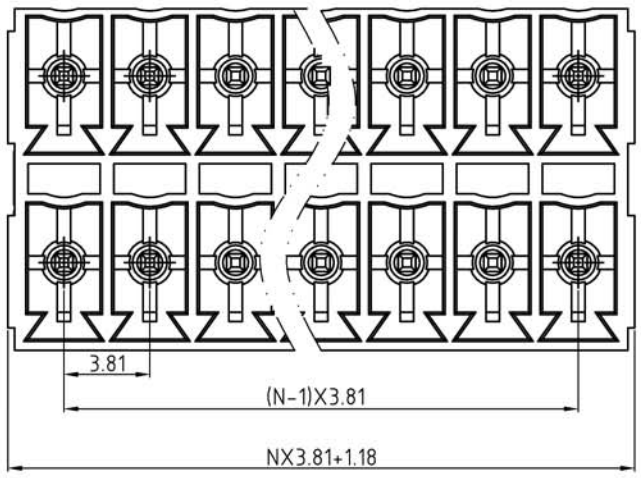
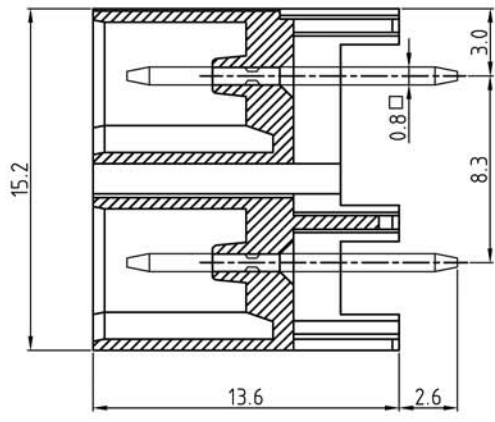


SIGN	DESCRIPTION	DATE	APPROVER

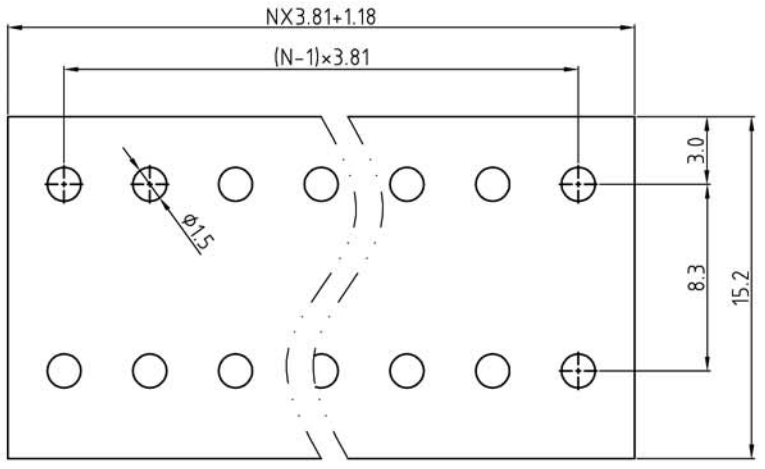


N=Number of contacts



Technical Data:
 Material:
 Solder Pin: Copper Alloy Tin plated
 Insulator body(housing): Polyamide (Glass filled)(UL94V-0)
 Electrical
 Voltage rating: 300VAC
 Current rating: 12A
 Withstanding Voltage: AC 2500V(1min)
 Mechanical:
 Using temperature Range: -40°C to +105°C
 Soldering temperature:+250°C,5seconds Max.
 Ordering Information:
F83-V-C XX-0 0 0 X 0

02	2Pin	5	Green
To	To	6	Blue
24	24Pin	A	Black



PCB. LAYOUT

WELINK 上海拓尔普电子科技有限公司
 Welink International Co., LTD.

TOLERANCE	APPROVED:	NAME: F83-V Pitch 3.81mm
X. ±0.50	CHECKED:	-Series
X.X ±0.30	DRAWN: Ling Yu 2014,08,18	PART NO: F83VCXX000X0
X.XX ±0.20	UNITS: mm	REV: A
X° ±1°	SCALE: 4 / 1	PAGE: 1 / 1
		DWG NO: 9F83VC001A