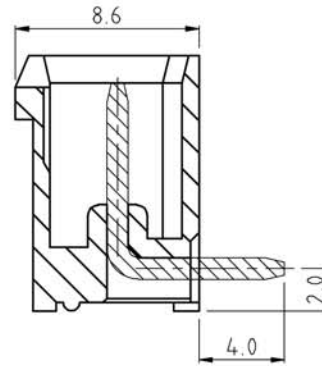
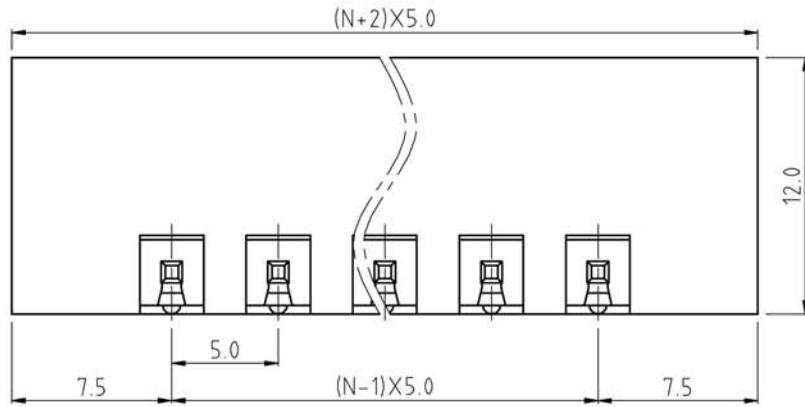


SIGN	DESCRIPTION	DATE	APPROVER



Technical Data:

Material:

Solder Pin: Copper Alloy, Tin plated

Metal nut: Copper Alloy

Insulator body(housing): Polyamide
(Glass filled)(UL94V-0)

Electrical

Voltage rating: 300VAC

Current rating: 16A

Withstanding Voltage: AC 2500V(1min)

Mechanical:

Using temperature Range: -40°C to +105°C

Soldering temperature: +250°C, 5seconds Max.

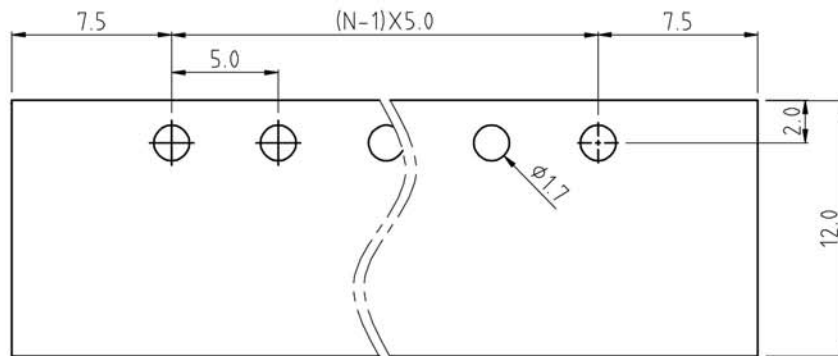
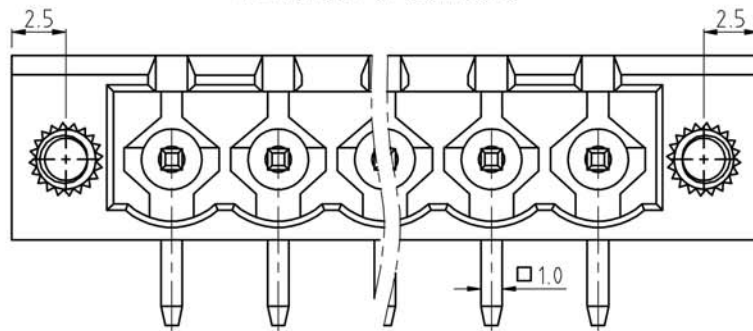
Ordering Information:

F85-8-5 XX-0 0 0 X 0

02 2Pin
To To
24 24Pin

5 Green
6 Blue
A Black

N=Number of contacts



P.C.B. LAYOUT

WELINK 上海拓尔普电子科技有限公司
Welink International Co., LTD.

TOLERANCE	APPROVED:	NAME: F85-8 Pitch 5.0mm
X: ± 0.50	CHECKED:	- Series
X.X: ± 0.30	DRAWN: YangMing 2012,06,20	
X.XX: ± 0.20	UNITS: mm	PART NO: F8585XX000X0
X°: $\pm 1^\circ$	REV: A	DWG NO: 9F8585001A
	SCALE: 4 / 1	PAGE: 1 / 1