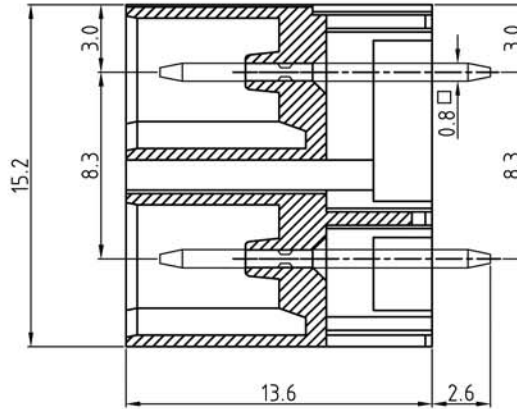
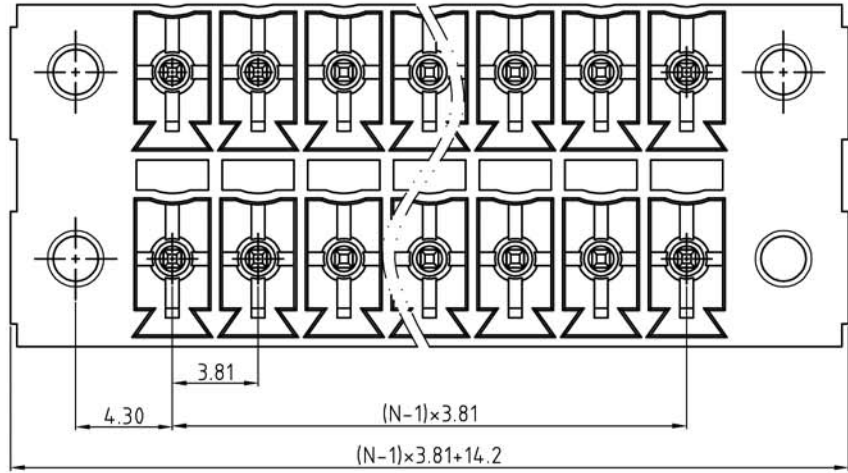


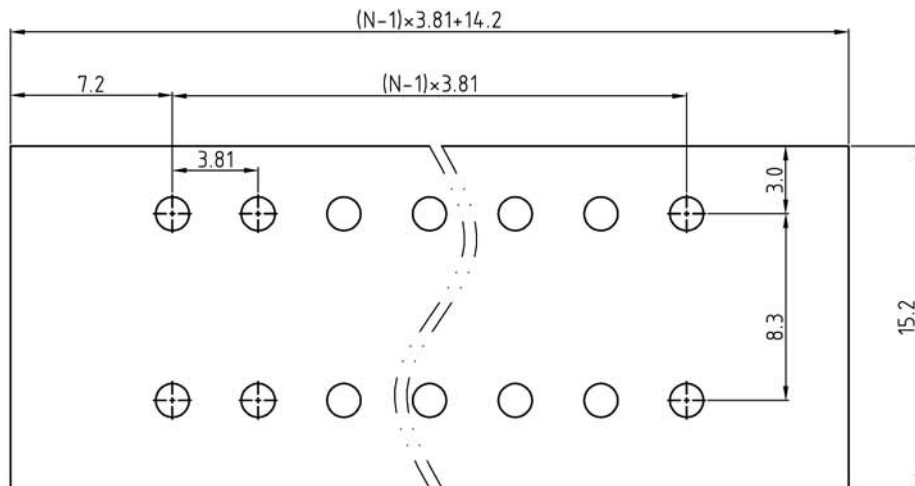
SIGN	DESCRIPTION	DATE	APPROVER



Technical Data:
Material:
Solder Pin: Copper Alloy Tin plated
Insulator body(housing): Polyamide (Glass filled)(UL94V-0)
Electrical
Voltage rating: 300VAC
Current rating: 12A
Withstanding Voltage: AC 2500V(1min)
Mechanical:
Using temperature Range: -40°C to +105°C
Soldering temperature:+250°C,5seconds Max.

Ordering Information:
F83-T-C XX-0 0 0 X 0 0 0 1
02 2Pin 5 Green
To To 6 Blue
24 24Pin A Black

N=Number of contacts



PCB. LAYOUT

WELINK 上海拓尔普电子科技有限公司
Welink International Co., LTD.

TOLERANCE X. X.X X.XX X°	APPROVED:	NAME: F83-T Pitch 3.81mm -Series方块螺母
	CHECKED:	
	DRAWN: LingYu 2014,08,18	
	UNITS: mm	REV: A
SCALE: 4 / 1	PAGE: 1 / 1	DWG NO: 9F83TC001A