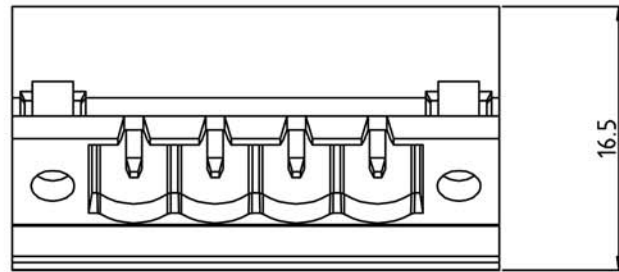
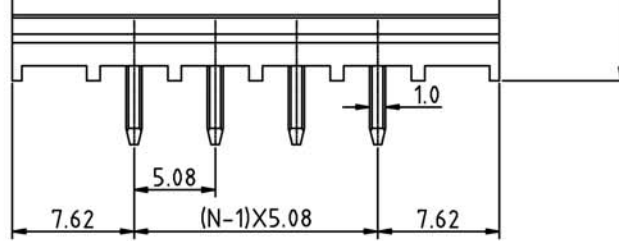
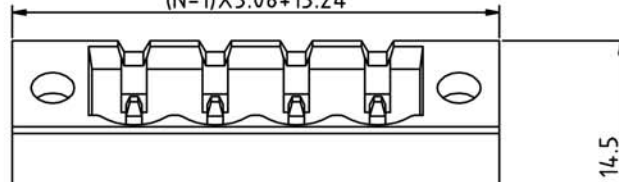


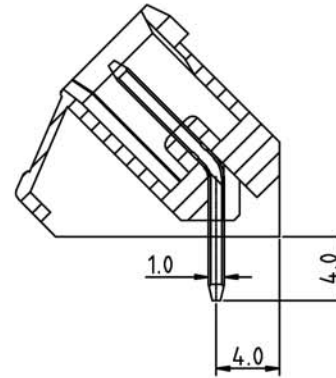
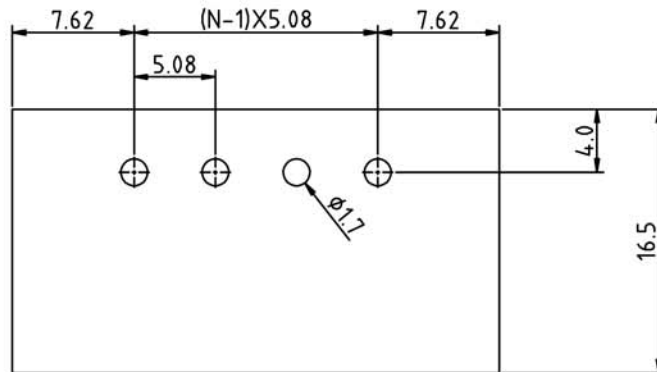
SIGN	DESCRIPTION	DATE	APPROVER



N=Number of contacts
(N-1)X5.08+15.24



PCB. LAYOUT



Technical Data:

Material:

Solder Pin: Copper Alloy, Tin plated
Insulator body(housing): Polyamide
(Glass filled)(UL94V-0)

Electrical

Voltage rating: 300VAC
Current rating: 16A
Withstanding Voltage: AC 2500V(1min)

Mechanical:

Using temperature Range: -40°C to +105°C
Soldering temperature:+250°C,5seconds Max.

Ordering Information:

F85-F-E XX-0 0 3 X 0

- | | | | |
|----|-------|---|------------|
| 02 | 2Pin | 5 | Green |
| To | To | 6 | Blue |
| 24 | 24Pin | A | Black |
| | | 0 | Open |
| | | 1 | Close |
| | | 2 | Screw nut |
| | | 3 | Square nut |

WELINK 上海拓尔普电子科技有限公司
Welink International Co., LTD.

TOLERANCE	APPROVED:	NAME: F85-F Pitch 5.08mm
X. ±0.30	CHECKED:	- Series(上方块螺母)
X.X ±0.15	DRAWN: Ling Yu 2013,03,26	
X.XX ±0.05	UNITS: mm	REV: A
X° ±1°	SCALE: 3 / 1	PAGE: 1 / 1
		PART NO: F85FEXX003X0
		DWG NO: 9F85FE001A