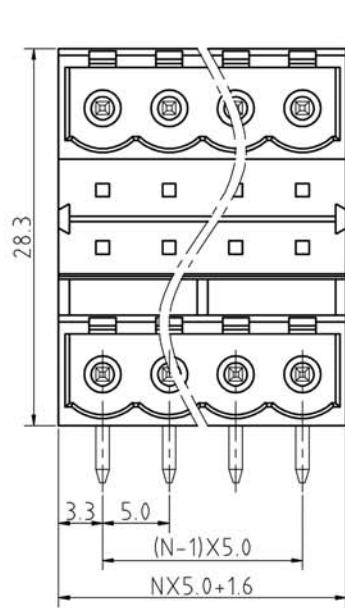
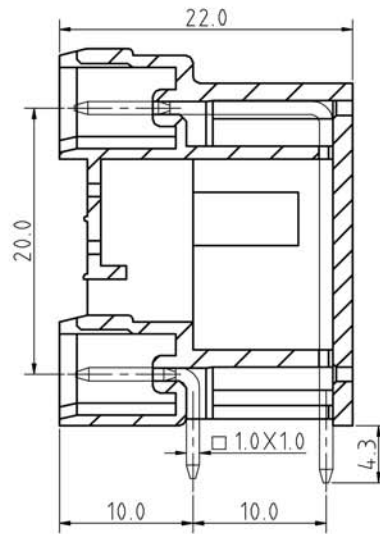


SIGN	DESCRIPTION	DATE	APPROVER
△	新开模规格	2010.11.10	tony



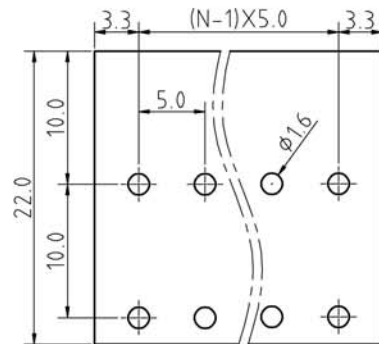
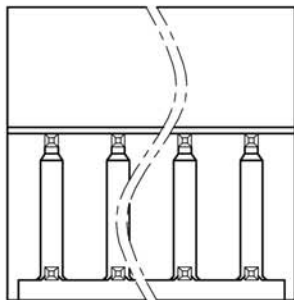
N=Number of contacts



Technical Data:
Material:
Solder Pin: Copper Alloy with Tin plated
Insulator body(housing): Polyamide
(Glass filled)(UL94V-0)
Electrical
Voltage rating: 300VAC
Current rating: 16A
Withstanding Voltage: AC 2500V(1min)
Mechanical:
Using temperature Range: -40°C to +105°C
Soldering temperature:+250°C,5seconds Max.

Ordering Information:
F85-J-5 XX-0 0 0 X 0

02	2Pin	5	Green
To	To	6	Blue
24	24Pin	A	Black



P.C.B. LAYOUT

WELINK 上海拓尔普电子科技有限公司
Welink International Co.,LTD.

TOLERANCE X: ±0.50 X.X ±0.30 X.XX ±0.20 X° ±1°	APPROVED:	NAME: F85-J Pitch 5.0mm -Series
	CHECKED:	
	DRAWN: Yang Ming 2012.06.20	
	UNITS: mm	REV: A
	SCALE: 2.5 / 1	PAGE: 1 / 1
		PART NO: F85J5XX000X0
		DWG NO: 9F85J5001A