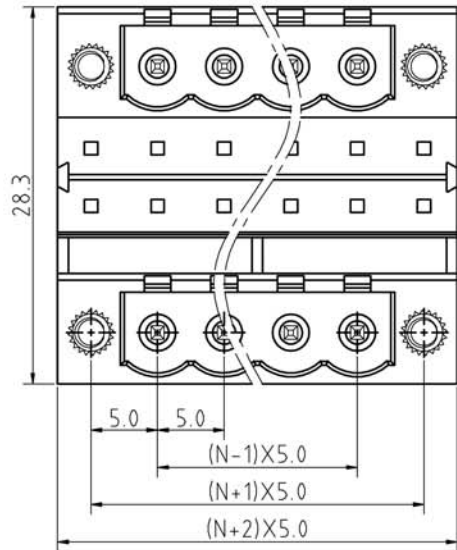
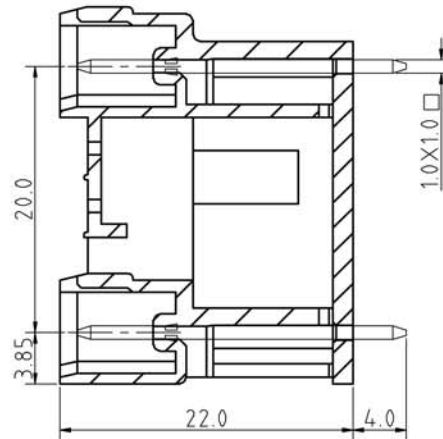
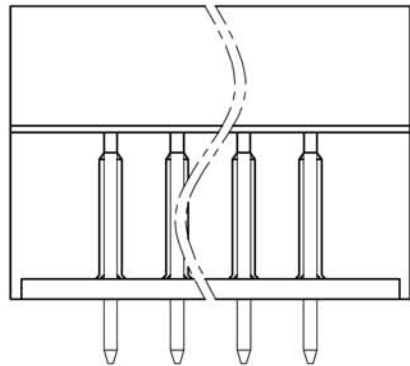


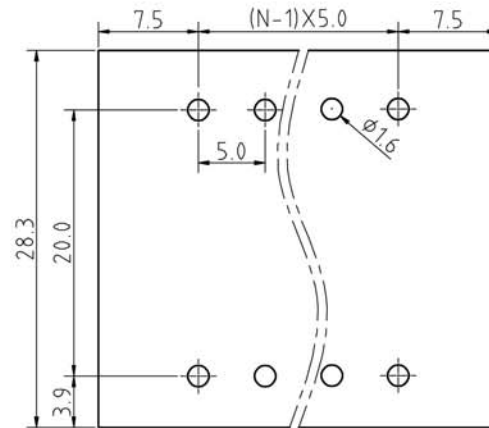
SIGN	DESCRIPTION	DATE	APPROVER



N=Number of contacts



P.C.B. LAYOUT



Technical Data:  
Material:  
Solder Pin: Copper Alloy with Tin plated  
Metal nut: Copper Alloy  
Insulator body(housing): Polyamide  
(Glass filled)(UL94V-0)  
Electrical  
Voltage rating: 300VAC  
Current rating: 16A  
Withstanding Voltage: AC 2500V(1min)  
Mechanical:  
Using temperature Range:  $-40^{\circ}\text{C}$  to  $+105^{\circ}\text{C}$   
Soldering temperature:  $+250^{\circ}\text{C}$ , 5seconds Max.  
Ordering Information:

F85-K-5 XX-0 0 0 X 0

02 2Pin 5 Green  
To To 6 Blue  
24 24Pin A Black

**WELINK** 上海拓尔普电子科技有限公司  
Welink International Co., LTD.

TOLERANCE	APPROVED:	NAME: F85-K Pitch 5.0mm
X $\pm 0.50$	CHECKED:	-Series
X.X $\pm 0.30$	DRAWN: Yang Ming 2012.06.20	
X.XX $\pm 0.20$	UNITS: mm	PART NO: F85K5XX000X0
X° $\pm 1^{\circ}$	REV: A	DWG NO: 9F85K5001A
	SCALE: 2.5 / 1	PAGE: 1 / 1