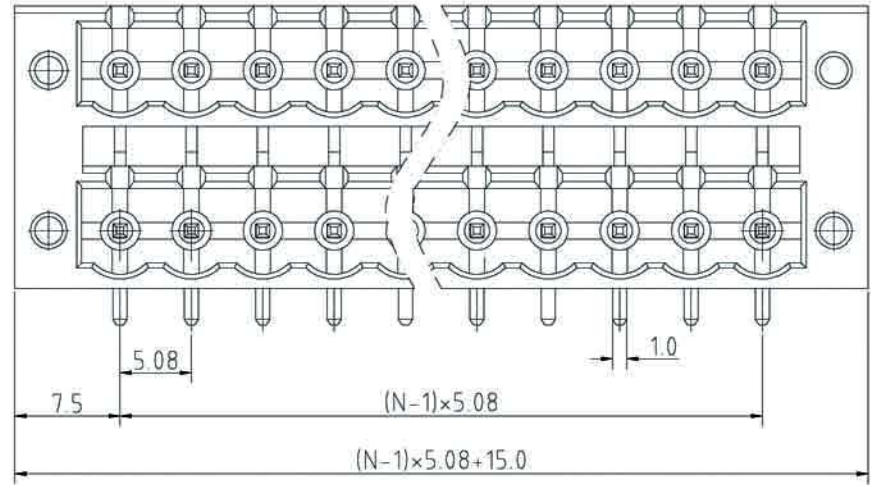
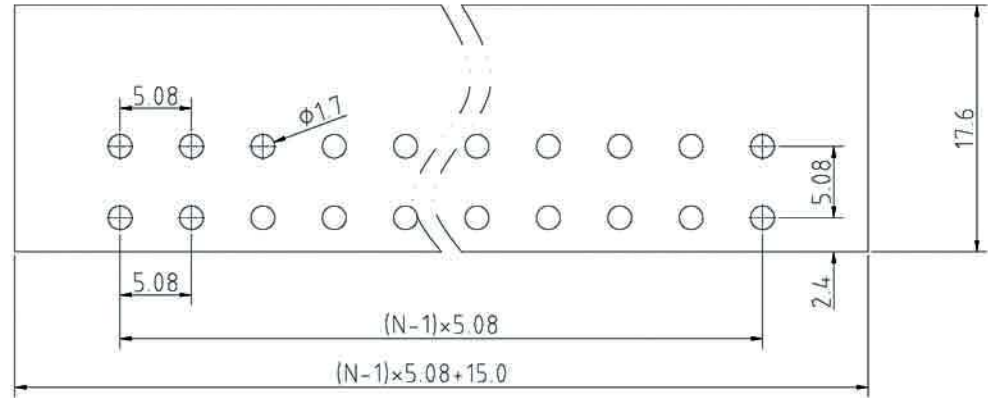
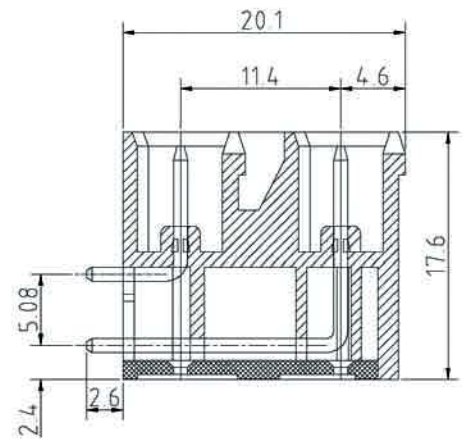
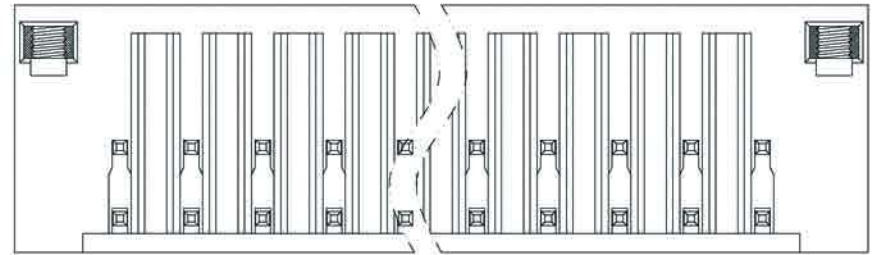


SIGN	DESCRIPTION	DATE	APPROVER



N=Number of contacts



P.C.B LAYOUT

Technical Data

Material:

Solder Pin: Copper Alloy with Tin plated
 Insulator body(housing): Polyamide
 (Glass filled)(UL94 V-0)

Electrical

Voltage rating: 300VAC
 Current rating: 16A
 Withstanding Voltage: AC 2500V(1min)

Mechanical:

Using temperature Range: -40°C to $+105^{\circ}\text{C}$
 Soldering temperature: $+250^{\circ}\text{C}$, 5seconds Max.

Ordering Information:

F85-R-E XX-0 0 0 X 0 0 0 0

- 02 2Pin
- To To
- 24 24Pin
- 5 Green
- 6 Blue
- A Black

- 0 Open
- 1 Close
- 2 Screw nut
- 3 Square nut
- 4 W/Latch holder

- 0 180°
- 1 90°

WELINK

上海拓尔普电子科技有限公司
 Welink International Co.,LTD.

TOLERANCE	APPROVED:	NAME
X ±0.50	CHECKED:	F85-R Pitch 5.08mm
XX ±0.30	DRAWN: Ling Yu 2014.09.18	-Series-90°(Square nut)
XXX ±0.20	UNITS: mm	PART NO: F85REXX013X0
X° ±1°	SCALE: 2.5 / 1	DWG NO: 9F85RE131A
	REV: A	
	PAGE: 1 / 1	