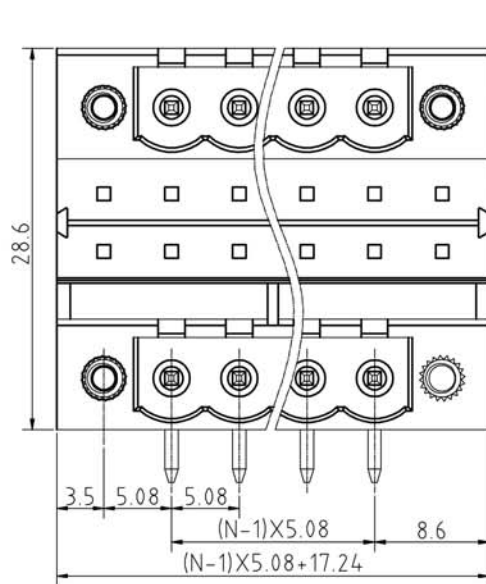
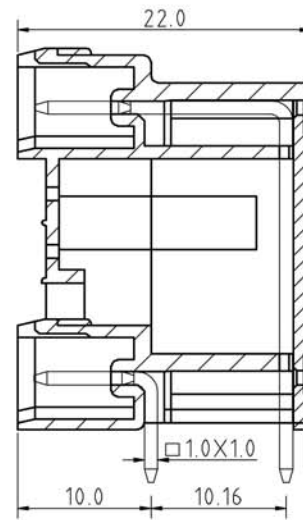


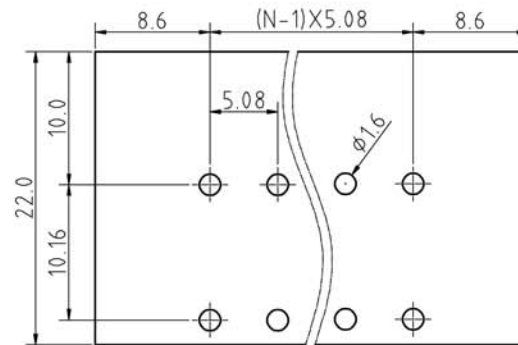
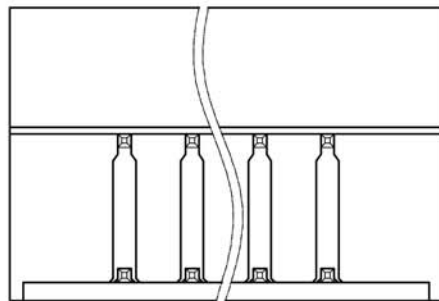
SIGN	DESCRIPTION	DATE	APPROVER
▲	-----	2006,10,05	TONY



N=Number of contacts



P.C.B. LAYOUT



Technical Data:  
Material:  
Solder Pin: Copper Alloy with Tin plated  
Metal nut: Copper Alloy  
Insulator body(housing): Polyamide  
(Glass filled)(UL94V-0)  
Electrical  
Voltage rating: 300VAC  
Current rating: 16A  
Withstanding Voltage: AC 2500V(1min)  
Mechanical:  
Using temperature Range: -40°C to +105°C  
Soldering temperature: +250°C, 5seconds Max.  
Ordering Information:

F85-L-E XX-0 0 0 X 0

02 2Pin 5 Green  
To To 6 Blue  
24 24Pin A Black

**WELINK** 上海拓尔普电子科技有限公司  
Welink International Co., LTD.

TOLERANCE	APPROVED:	NAME: F85-L Pitch 5.08mm
X: ±0.50	CHECKED:	Series
X.X: ±0.30	DRAWN: Yang Ming 2012,06,20	
X.XX: ±0.20	UNITS: mm	PART NO: F85LXX000X0
X°: ±1°	REV: A	DWG NO: 9F85LE001A
	SCALE: 4 / 1	PAGE: 1 / 1