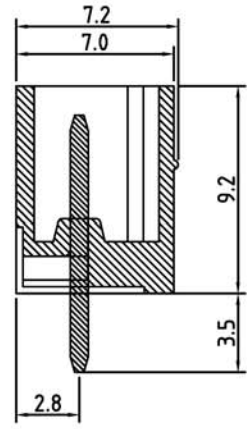
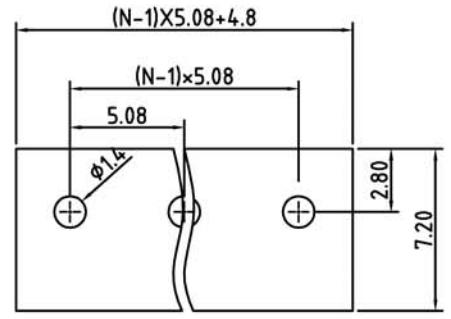
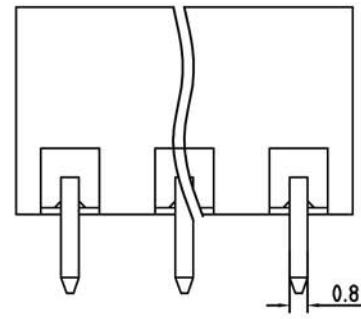
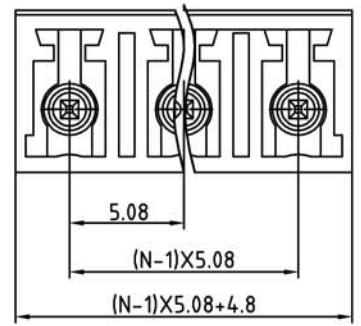


SIGN	DESCRIPTION	DATE	APPROVER
△	-----	2006,10,05	TONY



Technical Data:

Material:

Solder Pin: Copper Alloy Tin plated

Insulator body(housing): Polyamide(Glass filled)(UL94V-0)

Electrical

Voltage rating: 300VAC

Current rating: 12 Amps/way max

Withstanding Voltage: 2500VAC(1min) Test time=60sec/1pcs

Mechanical:

Operating temperature: -40°C to +105°C

Soldering reliability:

Test temperature= 250°C±10°C

5 seconds max

Ordering Information:

F83-2-E XX 0 X X X 0 0 0 0

02 2Pin  
To To  
24 24Pin

5 Green  
6 Blue  
A Black

1 180°  
2 90°

0 Open  
1 Close  
2 Screw nut  
3 Square nut

**WELINK** 上海拓尔普电子科技有限公司  
Welink International Co., LTD.

F83-2-E 08元, 100元

TOLERANCE	APPROVED:	NAME: F83-2 Pitch 5.08mm -seriec 無耳180度
X. ±0.50	CHECKED:	
X.X ±0.30	DRAWN: Liren 2016,12,10	PART NO: F832EXX011X0000
X.XX ±0.20	UNITS: mm REV: A	
X° ±1°	SCALE: 4 / 1 PAGE: 1 / 1	DWG NO: 9F832E001A