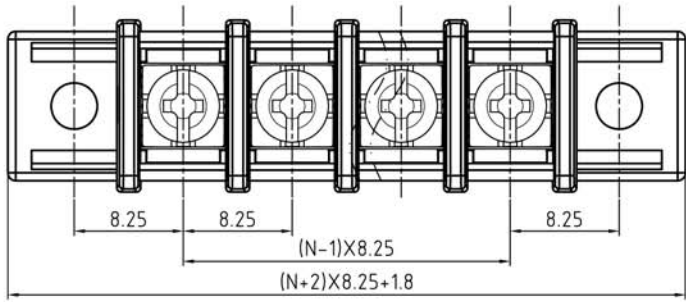
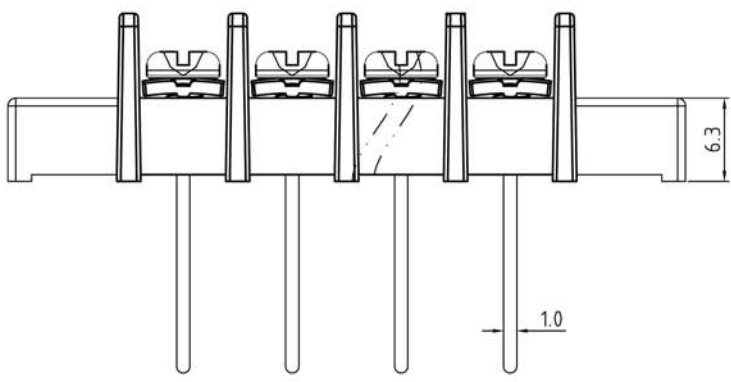


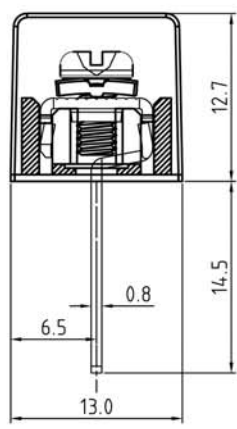
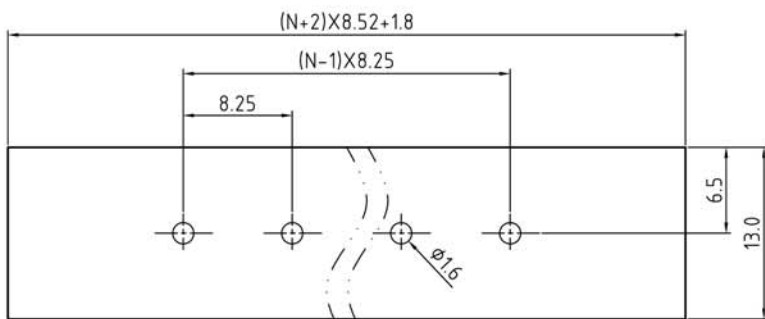
SIGN		DESCRIPTION		DATE	APPROVER



N=Number of contacts



P.C.B LAYOUT



Technical Data:  
Material:  
Terminals: Copper Alloy, Tin Plated  
Terminal screw: Steel galvanized with Cr3+ plated  
Insulator body(housing): Polyamide (Glass filled)(UL94V-0)  
Electrical  
Voltage rating: 300VAC  
Current rating: 20 Amps/way max  
Contact resistance: 20m  $\Omega$  (max)  
Withstanding Voltage: 2500VAC(1min) Test time=60sec/1pcs  
Wire range: 12-22AWG  
Mechanical:  
Torque: 10kgf.cm/M3.0  
Operating temperature: -40°C to +105°C  
Soldering reliability:  
Test temperature= 250°C  $\pm$  10°C  
5 seconds max  
Ordering Information:

U141 - 8 - H XX - X X X 0

- A Black Pa66
- B Black Pbt
- 1 Auricled
- 2 Earless
- 1 "-"Screw Cr<sup>3+</sup>
- 2 "-/+ "Screw Cr<sup>3+</sup>
- 3 "-"Screw Ni Plated
- 4 "-/+ "Screw Ni Plated
- 02 2Pin
- To To
- 32 32Pin

**WELINK** 上海拓尔普电子科技有限公司  
Welink International Co., LTD.

TOLERANCE	APPROVED:	NAME: U141-8 Pitch 8.25mm series
X. $\pm 0.50$	CHECKED:	
X.X $\pm 0.30$	DRAWN: Yang Ming 2011,07,08	
X.XX $\pm 0.20$	UNITS: mm	REV: A
X° $\pm 1^\circ$	SCALE: 2.5 / 1	PAGE: 1 / 1
		PART NO: U1418HXX21B0
		DWG NO: 9U1418001A