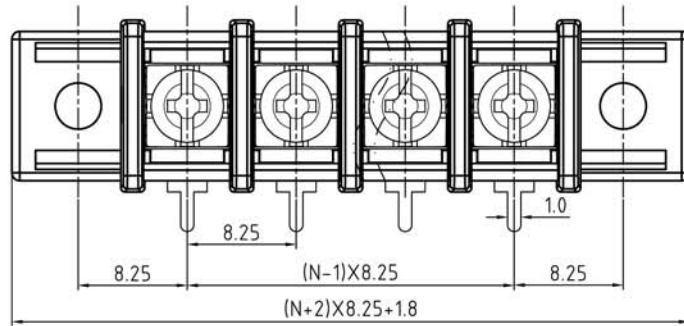
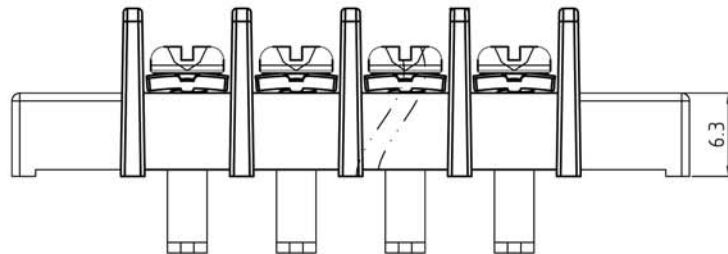


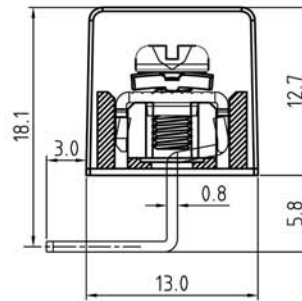
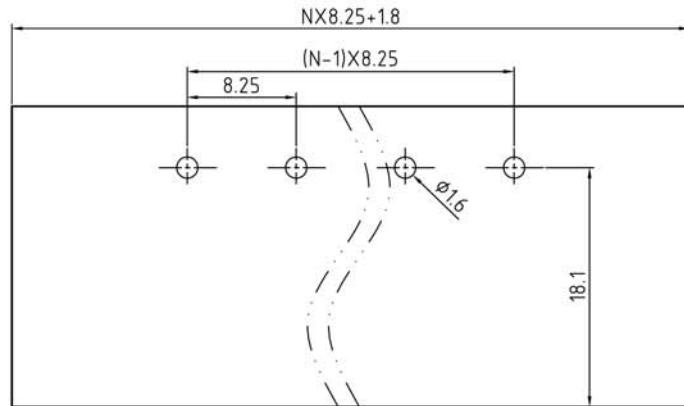
SIGN	DESCRIPTION	DATE	APPROVER



N=Number of contacts



P.C.B LAYOUT



Technical Data:

Material:

Terminals: Copper Alloy, Tin Plated

Terminal screw: Steel galvanized with Cr3+ plated

Insulator body(housing): Polyamide (Glass filled)(UL94V-0)

Electrical

Voltage rating: 300VAC

Current rating: 20 Amps/way max

Contact resistance: 20m Ω (max)

Withstanding Voltage: 2500VAC(1min) Test time=60sec/1pcs

Wire range: 12-22AWG

Mechanical:

Torque: 10kgf.cm/M3.0

Operating temperature: -40°C to +105°C

Soldering reliability:

Test temperature= 250°C \pm 10°C

5 seconds max

Ordering Information:

U141 - 5 - H XX - X X X 0

A Black Pa66
B Black Pbt

1 Auricled
2 Earless

1 "-Screw Cr³⁺
2 "-/+Screw Cr³⁺
3 "-Screw Ni Plated
4 "-/+Screw Ni Plated

02 2Pin
To To
32 32Pin

WELINK 上海拓尔普电子科技有限公司
Welink International Co., LTD.

TOLERANCE X. ± 0.50 X.X ± 0.30 X.XX ± 0.20 X° $\pm 1^\circ$	APPROVED:	NAME: U141-5 Pitch 8.25mm series
	CHECKED:	
	DRAWN: Yang Ming 2011,07,08	
	UNITS: mm	REV: A
	SCALE: 2.5 / 1	PAGE: 1 / 1
		PART NO: U1415HXX21B0
		DWG NO: 9U1415001A