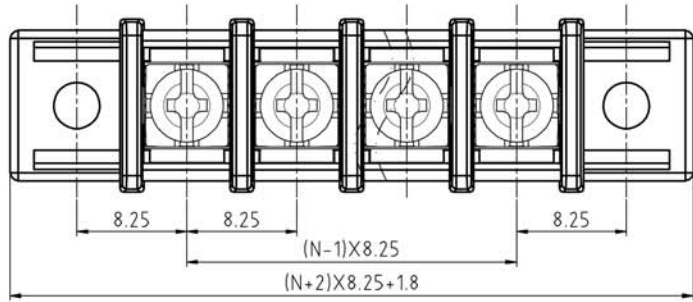
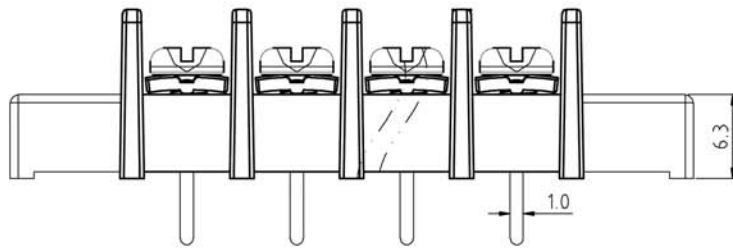


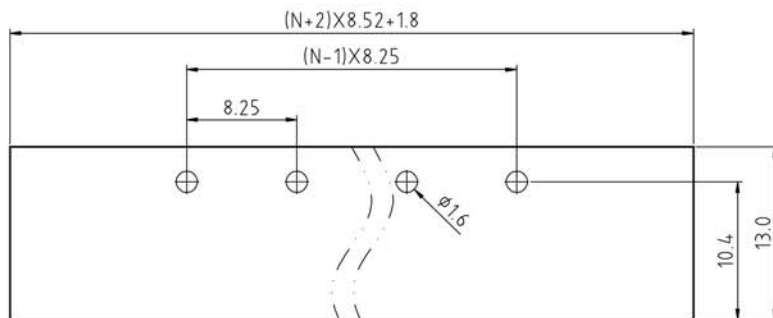
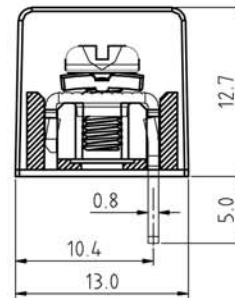
| SIGN | DESCRIPTION | DATE | APPROVER |
|------|-------------|------|----------|
| | | | |



N=Number of contacts



P.C.B LAYOUT



Technical Data:

Material:

Terminals: Copper Alloy, Tin Plated

Terminal screw: Steel galvanized with Cr³⁺ plated

Insulator body(housing): Polyamide (Glass filled)(UL94V-0)

Electrical

Voltage rating: 300VAC

Current rating: 20 Amps/way max

Contact resistance: 20mΩ (max)

Withstanding Voltage: 2500VAC(1min) Test time=60sec/1pcs

Wire range: 12-22AWG

Mechanical:

Torque: 10kgf.cm/M3.0

Operating temperature: -40°C to +105°C

Soldering reliability:

Test temperature= 250°C±10°C

5 seconds max

Ordering Information:

U141 - 2 - H XX - X X X 0

A Black Pa66

B Black Pbt

1 With flange

2 Without flange

1 "-"Screw Cr³⁺

2 "-/+"Screw Cr³⁺

3 "-"Screw Ni Plated

4 "-/+"Screw Ni Plated

02 2Pin

To To

32 32Pin

WELINK 上海拓尔普电子科技有限公司
Welink International Co., LTD.

| | | |
|------------|-----------------------------|-----------------------|
| TOLERANCE | APPROVED: | NAME: |
| X ±0.50 | CHECKED: | U141-2 Pitch 8.25mm |
| X.X ±0.30 | DRAWN: Yang Ming 2011,07,08 | series With flange |
| X.XX ±0.20 | UNITS: mm | PART NO: U1412HXX21B0 |
| X° ±1° | REV: A | DWG NO: 9U1412001A |
| | SCALE: 2.5 / 1 | PAGE: 1 / 1 |