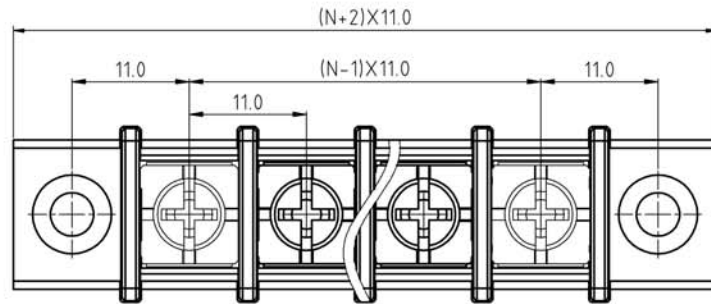
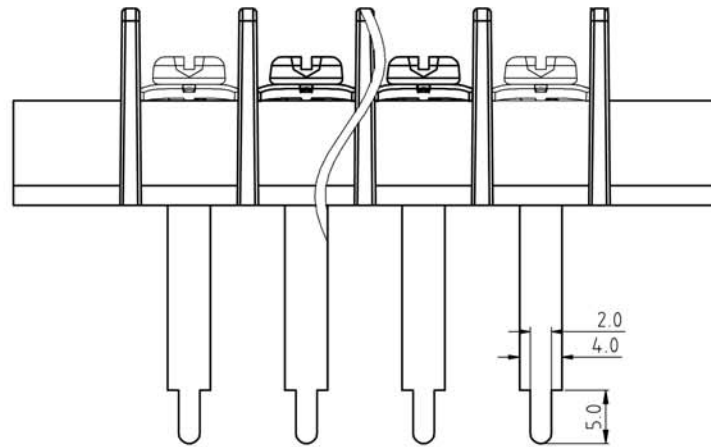


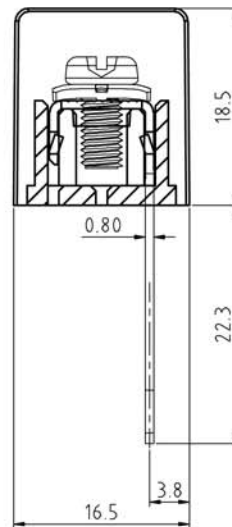
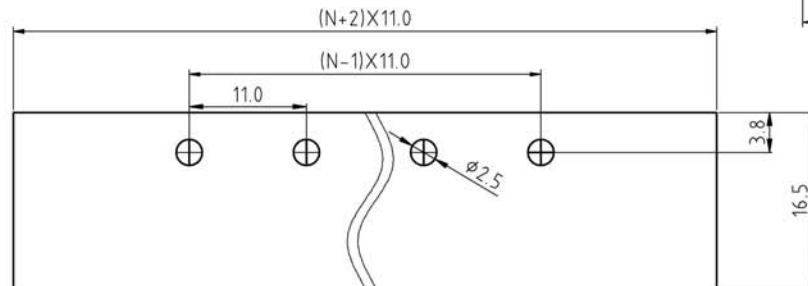
SIGN	DESCRIPTION	DATE	APPROVER



N=Number of contacts



P.C.B LAYOUT



Technical Data:

Material:

Terminals: Copper Alloy Tin plated  
Terminal screw: Steel galvanized with Cr3+ plated  
Insulator body(housing): Polyamide (Glass filled)(UL94V-0)

Electrical

Voltage rating: 300VAC  
Current rating: 25 Amps/way max  
Contact resistance: 20m  $\Omega$  (max)  
Withstanding Voltage: 2500VAC(1min) Test time=60sec/1pcs  
Wire range: 12-22AWG

Mechanical:

Torque: 18kgf.cm/M4.0  
Operating temperature: -40°C to +105°C  
Soldering reliability:  
Test temperature= 250°C  $\pm$  10°C  
5 seconds max

Ordering Information:

U171 - A - L XX - X X X 0

- A Black Pa66
- B Black Pbt
- 1 With flange
- 2 Without flange
- 1 "-" Screw Cr<sup>3+</sup>
- 2 "-/+" Screw Cr<sup>3+</sup>
- 3 "-" Screw Ni Plated
- 4 "-/+" Screw Ni Plated
- 02 2Pin
- To To
- 32 32Pin

**WELINK** 上海拓尔普电子科技有限公司  
Welink International Co., LTD.

TOLERANCE	APPROVED:	NAME:
X $\pm 0.50$	CHECKED:	U171-A Pitch-11.0mm
X.X $\pm 0.30$	DRAWN: Yang Ming	-series With flange
X.XX $\pm 0.20$	2011,12,13	
X° $\pm 1^\circ$	UNITS: mm	REV: A
	SCALE: 2 / 1	PAGE: 1 / 1
		PART NO: U171ALXX21X0
		DWG NO: 9U171A001A