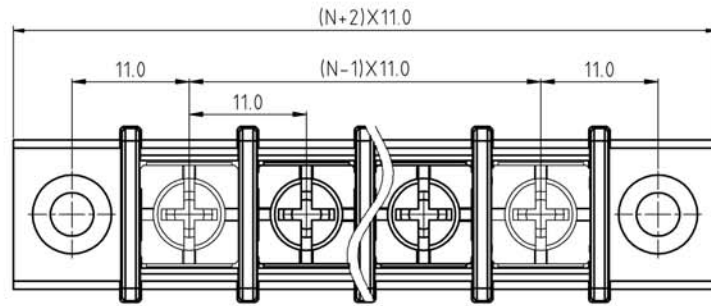
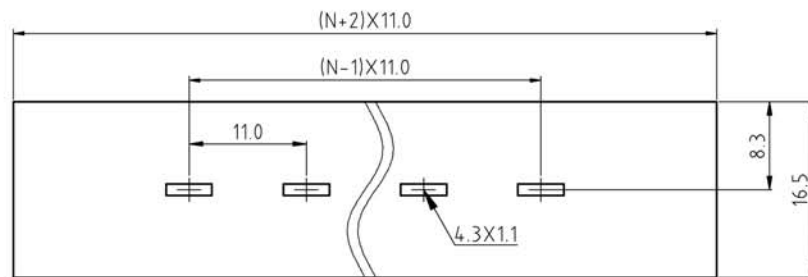
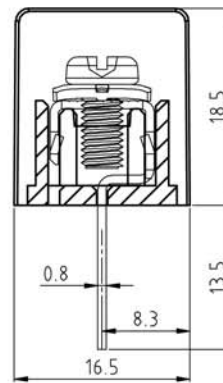
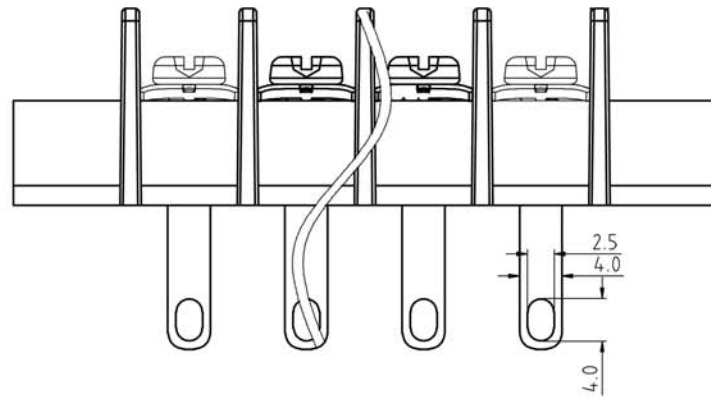


| SIGN | DESCRIPTION | DATE | APPROVER |
|------|-------------|------|----------|
| | | | |



N=Number of contacts



P.C.B LAYOUT

Technical Data:

Material:

Terminals: Copper Alloy Tin plated
Terminal screw: Steel galvanized with Cr3+ plated
Insulator body(housing): Polyamide (Glass filled)(UL94V-0)

Electrical

Voltage rating: 300VAC
Current rating: 25 Amps/way max
Contact resistance: 20m Ω (max)
Withstanding Voltage: 2500VAC(1min) Test time=60sec/1pcs
Wire range: 12-22AWG

Mechanical:

Torque: 18kgf.cm/M4.0
Operating temperature: -40°C to +105°C
Soldering reliability:
Test temperature= 250°C±10°C
5 seconds max

Ordering Information:

U171 - 4 - L XX - X X X 0

- A Black Pa66
- B Black Pbt
- 1 With flange
- 2 Without flange
- 1 "-"Screw Cr³⁺
- 2 "-/+ "Screw Cr³⁺
- 3 "-"Screw Ni Plated
- 4 "-/+ "Screw Ni Plated
- 02 2Pin
- To To
- 32 32Pin

WELINK 上海拓尔普电子科技有限公司
Welink International Co., LTD.

| | | |
|------------|------------------|-----------------------|
| TOLERANCE | APPROVED: | NAME: |
| X ±0.50 | CHECKED: | U171-4 Pitch-11.0mm |
| X.X ±0.30 | DRAWN: Yang Ming | -series With flange |
| X.XX ±0.20 | 2011,12,13 | |
| X° ±1° | UNITS: mm | REV: A |
| | SCALE: 2 / 1 | PAGE: 1 / 1 |
| | | PART NO: U1714LXX21X0 |
| | | DWG NO: 9U1714001A |