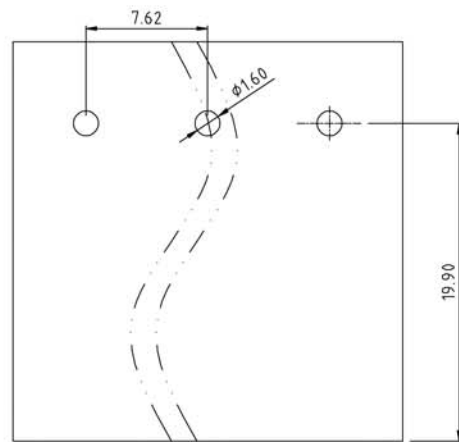
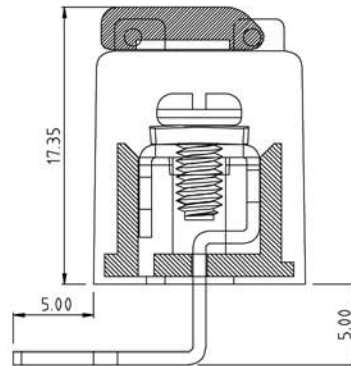


N=Number of contacts



P.C.B LAYOUT



SIGN	DESCRIPTION	DATE	APPROVER

Technical Data:

Material:

Terminals: Copper Alloy, Tin Plated

Terminal screw: Steel galvanized with Cr<sup>3+</sup> plated

Cover: PVC (UL94V-0)

Insulator body (housing): Polyamide (Glass filled) (UL94V-0)

Electrical

Voltage rating: 300VAC

Current rating: 10 Amps/way max

Contact resistance: 20mΩ (max)

Withstanding Voltage: 2500VAC(1min) Test time=60sec/1pcs

Wire range: 14-22AWG

Mechanical:

Torque: 8kgf.cm/M3.0

Operating temperature: -40°C to +105°C

Soldering reliability:

Test temperature= 250°C±10°C

5 seconds max

Ordering Information:

U230-A - G XX - X X X 0 0 0 0

- A Black Pa66
- B Black Pbt

- 1 With flange
- 2 Without flange
- 3 No Cover With flange
- 4 No Cover Without flange

02 2Pin  
To To  
32 32Pin

- 1 "-"Screw Cr<sup>3+</sup>
- 2 "-/+ "Screw Cr<sup>3+</sup>
- 3 "-"Screw Ni Plated
- 4 "-/+ "Screw Ni Plated

**WELINK**

上海拓尔普电子科技有限公司  
Welink International Co., LTD.

TOLERANCE	APPROVED:	NAME:
X ±0.50	CHECKED:	U230-A Pitch 7.62mm
X.X ±0.30	DRAWN: Liren 2017,03,18	series No Cover Without flange
X.XX ±0.20	UNITS: mm REV: A	PART NO: U230AGXX24B0000
X* ±1°	SCALE: 3 / 1 PAGE: 1 / 1	DWG NO: 9U230A201A