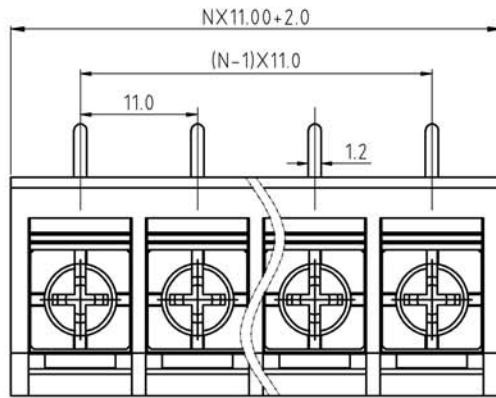
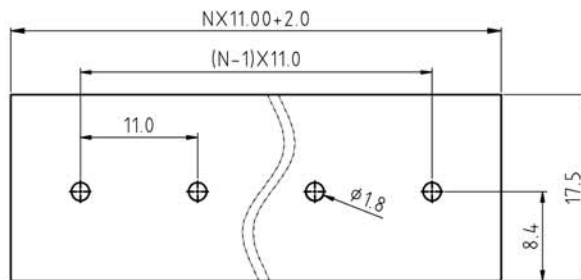
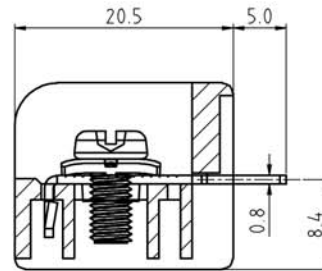
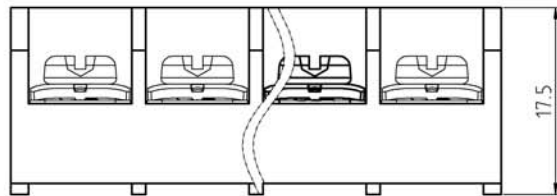


SIGN	DESCRIPTION	DATE	APPROVER



N=Number of contacts



P. C. B LAYOUT

Technical Data:

Material:

Terminals: Copper Alloy Tin plated  
Terminal screw: Steel galvanized with Cr3+ plated  
Insulator body(housing): Polyamide (Glass filled)(UL94V-0)

Electrical

Voltage rating: 300VAC  
Current rating: 25 Amps/way max  
Contact resistance: 20m Ω (max)  
Withstanding Voltage: 2500VAC(1min) Test time=60sec/1pcs  
Wire range: 12-22AWG

Mechanical:

Torque: 18kgf.cm/M4.0  
Operating temperature: -40°C to +105°C  
Soldering reliability:  
Test temperature= 250°C±10°C  
5 seconds max

Ordering Information:

U355 - 1 - L XX - X X X 0

- A Black Pa66
- B Black Pbt
- 1 With flange
- 2 Without flange
- 1 "-"Screw Cr<sup>3+</sup>
- 2 "-/+ "Screw Cr<sup>3+</sup>
- 3 "-"Screw Ni Plated
- 4 "-/+ "Screw Ni Plated

02 2Pin  
To To  
32 32Pin

**WELINK** 上海拓尔普电子科技有限公司  
Welink International Co., LTD.

TOLERANCE	APPROVED:	NAME:
X ±0.50	CHECKED:	U355-1 Pitch-11.0mm
X.X ±0.30	DRAWN: Yang Ming	-Without flange
X.XX ±0.20	2011,11,20	series
X° ±↑	UNITS: mm	REV: A
	SCALE: 2 / 1	PAGE: 1 / 1
		PART NO: U3551LXX2X0
		DWG NO: 9U3551002A