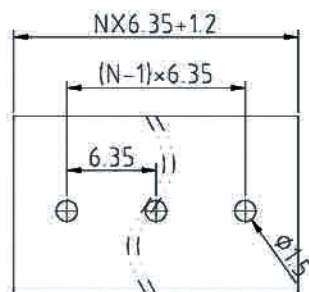
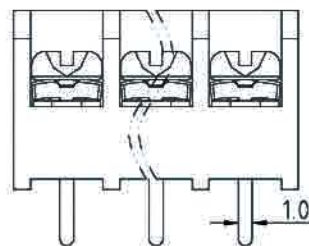
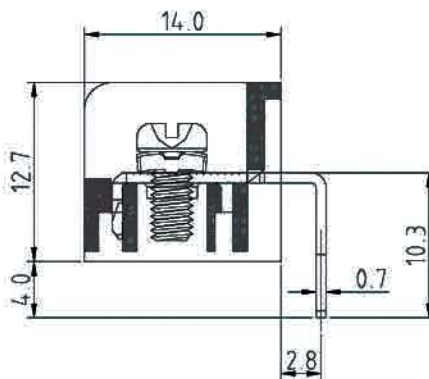


N=Number of contacts



P.C.B LAYOUT



SIGN	DESCRIPTION	DATE	APPROVER

Technical Data:

Material:

Terminals: Copper Alloy Tin plated
 Terminal screw: Steel galvanized with Cr3+ plated
 Insulator body(housing): Polyamide (Glass filled)(UL 94V-0)

Electrical:

Voltage rating: 250VAC
 Current rating: 10 Amps/way max
 Contact resistance: 20m Ω (max)
 Withstanding Voltage: 2500VAC(1min) Test time=60sec/1pcs
 Wire range: 18-22AWG

Mechanical:

Torque: 7kgf.cm/M3.0
 Operating temperature: -40°C to +105°C
 Soldering reliability:
 Test temperature= 250°C±10°C
 5 seconds max

Ordering Information:

U 3 2 2 - 5 - F X X - X X X 0

- A Black Pa66
- B Black Pbt
- 1 With flange
- 2 Without flange
- 1 "-"Screw Cr³⁺
- 2 "-/+ "Screw Cr³⁺
- 3 "-"Screw Ni Plated
- 4 "-/+ "Screw Ni Plated
- 02 2Pin
- To To
- 32 32Pin

WELINK 上海拓尔普电子科技有限公司 Welink International Co.,LTD.		NAME:	
		U322-5 Pitch 6.35mm- Without flange series	
TOLERANCE X ±0.50 X.X ±0.30 X.XX ±0.20 X° ±#	APPROVED: CHECKED: DRAWN: Ling Yu 2014,01,04	UNITS: mm SCALE: 2.5 / 1	REV: A PAGE: 1 / 1
		PART NO: U3225FXX22X0 DWG NO: 9U3225F01A	