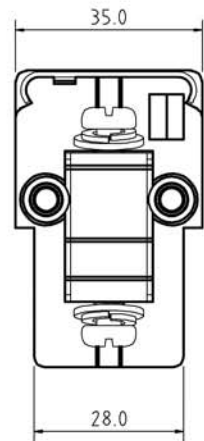
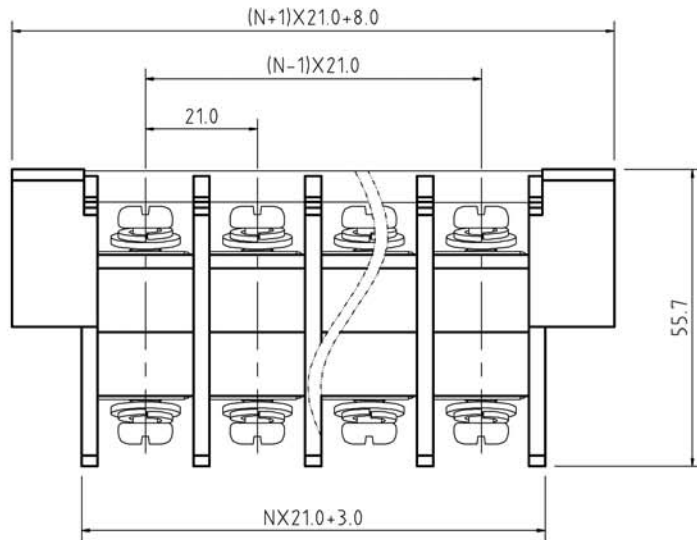
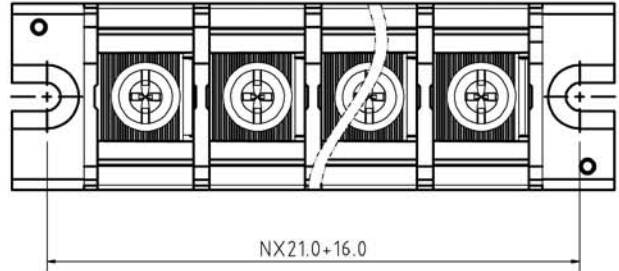


SIGN	DESCRIPTION	DATE	APPROVER
△	变更前V变更后W	YangMing	2014.09.15



Technical Data:

Material:

Terminals: Copper Alloy, Ni Plated
Terminal screw: Steel galvanized with Cr3+ plated
Insulator body(housing): Polyamide (Glass filled)(UL94V-0)

Electrical

Voltage rating: 600VAC
Current rating: 130 Amps/way max
Contact resistance: 20m Ω (max)
Withstanding Voltage: 2500VAC(1min) Test time=60sec/1pcs
Wire range: 8-22AWG

Mechanical:

Torque: 25kgf.cm/M6
Operating temperature: -40°C to +105°C
Soldering reliability:
Test temperature= 250°C±10°C
5 seconds max

Ordering Information:

U660 -0 -W XX - X X X 0

- △
- A Black Pa66
- B Black Pbt
- 1 With flange
- 2 Without flange
- 1 "-"Screw Cr³⁺
- 2 "-/+ "Screw Cr³⁺
- 3 "-"Screw Ni Plated
- 4 "-/+ "Screw Ni Plated
- 02 2Pin
- To To
- 32 32Pin

WELINK 上海拓尔普电子科技有限公司
Welink International Co., LTD.

TOLERANCE	APPROVED:	NAME:
X ±0.50	CHECKED:	U660-0 Pitch 21.0mm
X.X ±0.30	DRAWN: YangMing	Series With flange
X.XX ±0.20	2014.09.15	
X° ±1°	UNITS: mm	PART NO: U6600WXX21X0
	REV: C	DWG NO: 9U6600W21C
	SCALE: 1/1	PAGE: 1/1